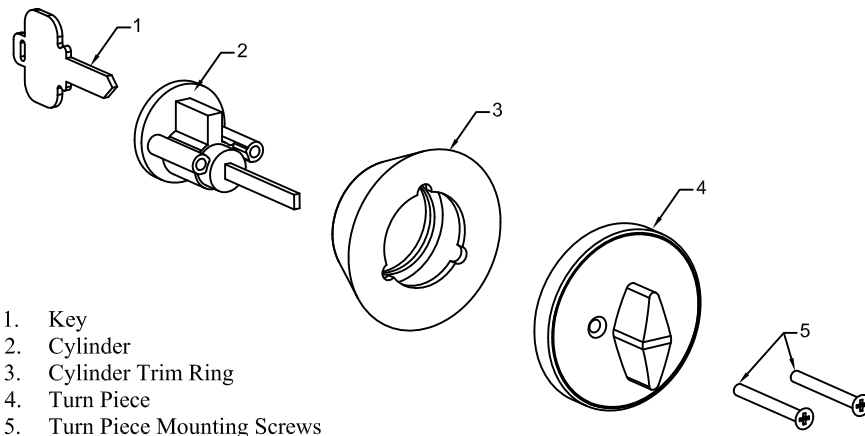
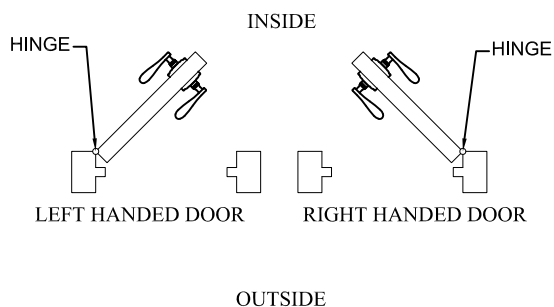


# MULTIPOINT LOCK DEAD BOLT INSTALLATION INSTRUCTIONS



1. Key
2. Cylinder
3. Cylinder Trim Ring
4. Turn Piece
5. Turn Piece Mounting Screws

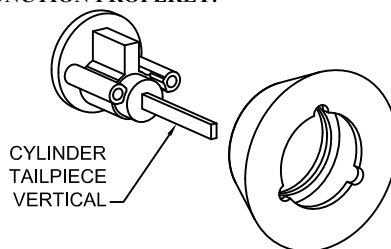
1. Determine the handing of your door. Standing on the outside of the door, if the hinges are to the left of the door then the door is left handed and if the hinges are to the right of the door then the door is right handed.



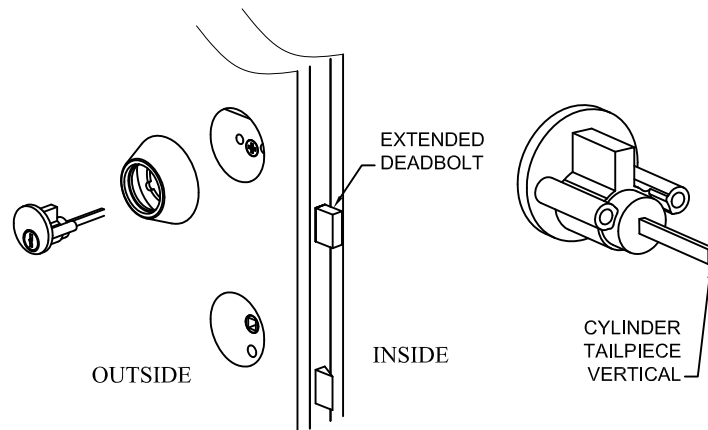
2. From the outside of the door, install the cylinder and cylinder trim ring keeping the tailpiece of the cylinder vertical.

**DO NOT INSERT THE KEY INTO THE CYLINDER DURING THIS STEP.**

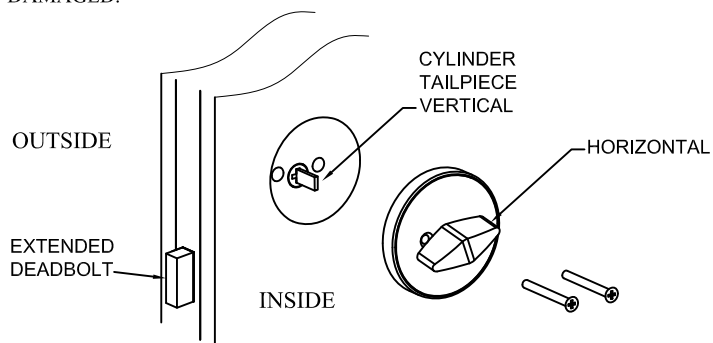
**Note: IMPROPER ORIENTATION OF THE TAILPIECE WILL CAUSE THE DEADBOLT NOT TO FUNCTION PROPERLY.**



3. Keeping the tailpiece of the cylinder vertical, from the outside of the door, insert the tailpiece through the cylinder trim ring and into the "+" slot of the deadbolt.



4. Install the turn piece by inserting the cylinder tailpiece into the turn piece. Align the screw holes and secure the turn piece in place using the two mounting screws. **CAUTION: DO NOT OVER TIGHTEN MOUNTING SCREWS AS THE TURN PIECE MAY BECOME DAMAGED.**



## TROUBLE SHOOTING GUIDE

**PROBLEM:** Can't extend (lock) deadbolt unless key is in cylinder. Can't remove key from cylinder when the deadbolt is extended (locked).

**SOLUTION:** Cylinder tailpiece is not oriented properly. Remove the cylinder by first removing the turn piece trim and cylinder trim ring. Rotate the cylinder tailpiece 180 degrees and re-install the deadbolt assembly. Refer to steps 3 and 4.

**PROBLEM:** Deadbolt can easily be locked using the turn piece trim on the inside but is difficult to lock when locked with the key from the outside.

**SOLUTION:** The cylinder is not properly aligned with the turn piece trim or improper door thickness. Remove the turn piece trim and loosen the two 2" pan head machine screw. Align the cylinder and retighten the 2" pan head screws. Ensure your door thickness is at least 1-3/4" thick

**PROBLEM:** Cannot extend deadbolt with the interior turn piece trim or exterior with key when door is closed.

**SOLUTION:** Open door and try to extend deadbolt. If deadbolt extends easily with the door open then the strike is not aligned with the deadbolt and/or locking points. Adjust the strike to align with the deadbolt and/or locking points.