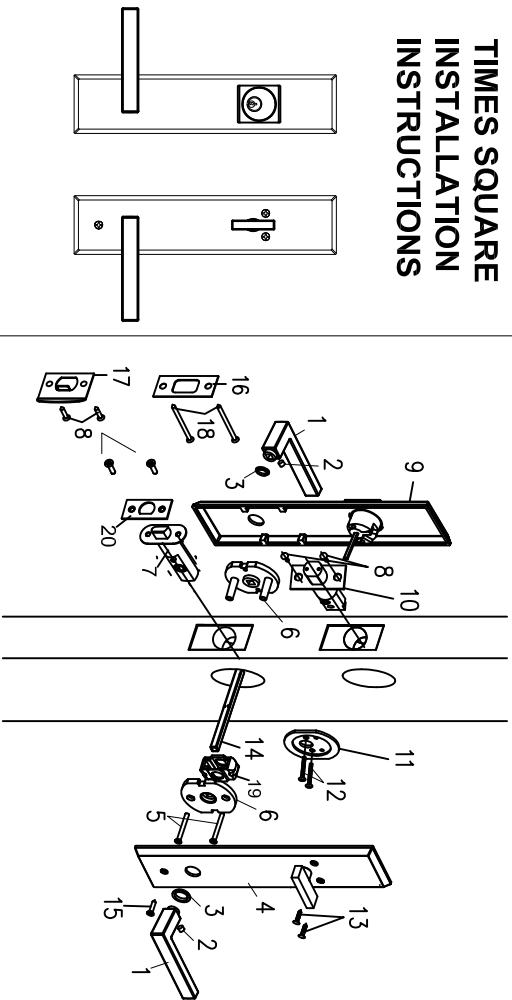




TIMES SQUARE INSTALLATION INSTRUCTIONS

Exploded View Single Cylinder Handleset



- 1. Lever (2pcs)
- 2. Set screw (2pcs)
- 3. Plastic washer (2pcs)
- 4. INTERNAL BACKPLATE(1pc)
- 5. # 8-32x1-3/4" Flat head machine screw(2pcs)
- 6. Adaptor (2pcs)
- 7. 2-3/8" BACKSET LATCH
- 8. Wood screws (4pcs)
- 9. EXTERNAL BACKPLATE(1pc)
- 10. Adjustable backset deadbolt (1pc)
- 11. Turn piece mounting plate (1pc)
- 12. #10-32x2" pan head machine screw (2pcs)
- 13. #8-32x1" oval head machine screw (2pcs)
- 14. Spindle (1pc)
- 15. Tapping screw(1pc)
- 16. Deadbolt Strike plate
- 17. Latch Strike plate
- 18. Wood screw(2pcs)
- 19. Latch Support
- 20. Latch Faceplate

BEFORE YOU BEGIN

Check door thickness as handle will work with a 1- $\frac{3}{4}$ " thick door only. If door thickness is greater than 1- $\frac{3}{4}$ " up to 2- $\frac{1}{4}$ " thick please contact Rockwell Security Inc.

Remove and discard all packaging materials and verify you have all the parts in the exploded view section of instructions

Follow step by step installation instructions to ensure proper operation of handle set.

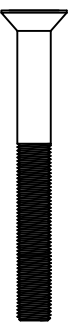
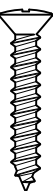
Always wear protective equipment and eyewear.

REQUIRED TOOLS

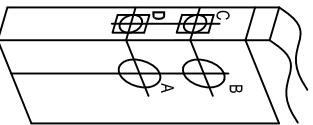
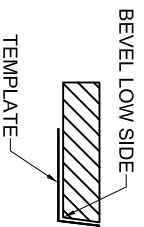
Protective Eyewear	#2 Phillips Screwdriver
1/8" Drill Bit	5/32" Drill Bit
1" Hole Saw	2-1/8" Hole Saw
Drill	Measuring Tape
1/2" Chisel	Utility Knife
Pencil	Chalk, Grease Pencil, or Lipstick

H433

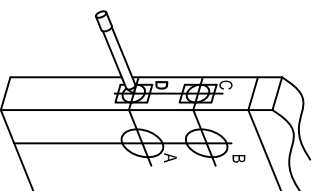
INSTALLATION FASTENERS



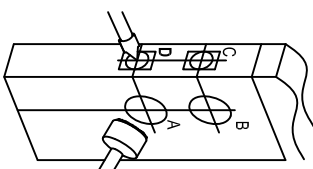
1. Fold the handle set marking template inline and with center of hole "A" at desired specified height. (Typically 33" to 38" from bottom of door) If door is beveled, place folded edge on low side of bevel as shown in illustration.



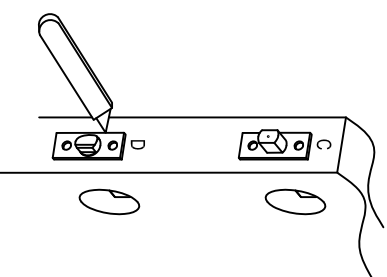
2. Determine the backset and mark the backset center points (A, B, C, D) on the template. The most common backset is 2-3/8".



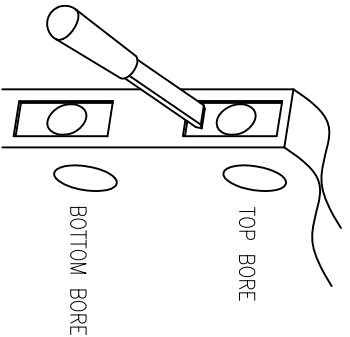
3. Carefully using a 2-3/8" diameter hole saw drill through holes A and B. Drill a 1" diameter hole through C and D. **IMPORTANT: DRILL PERPENDICULAR (90°) TO DOOR.**



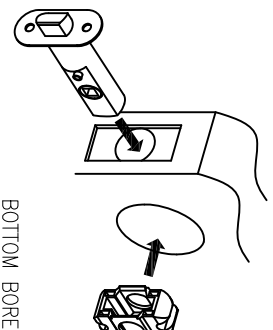
4. Insert the latch into hole D and with a utility knife outline the latch ensuring the outline is parallel to the door. Repeat with the deadbolt hole C.



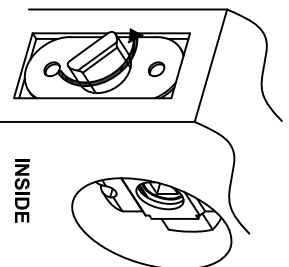
5. Chisel faceplate marking to a depth of $\frac{1}{8}$ " or until faceplates are flush with door edge.



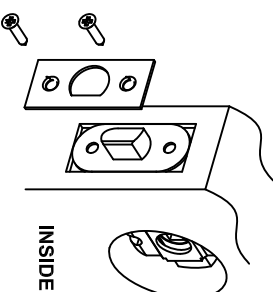
6. Place the latch support into the face bore and insert the latch into the door panel and latch support.



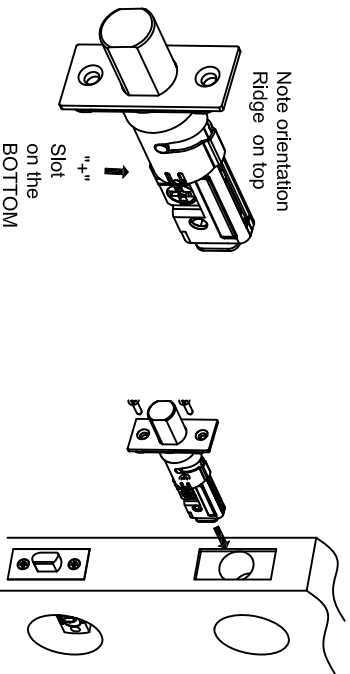
7. The curved side of the latch bolt must face the door jamb. Orient the latch bolt by rotating the latch bolt half a turn.



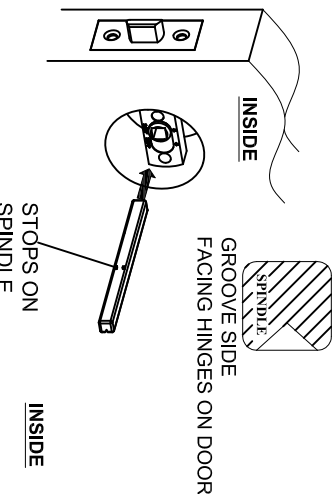
8. Place the latch face plate over the latch bolt and secure in place using 2 combo screws.



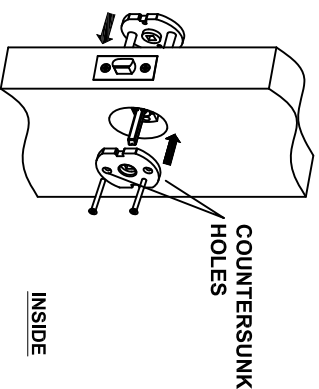
9. Insert the deadbolt latch into the top bore. Ensuring the + Slot is underneath and riding on top. Using a $\frac{1}{8}$ " drill bit drill two pilot holes and secure the deadbolt to the door using two combination screws. **If the deadbolt is not extended, insert a screw driver into the "+ slot and rotate counter-clockwise.**



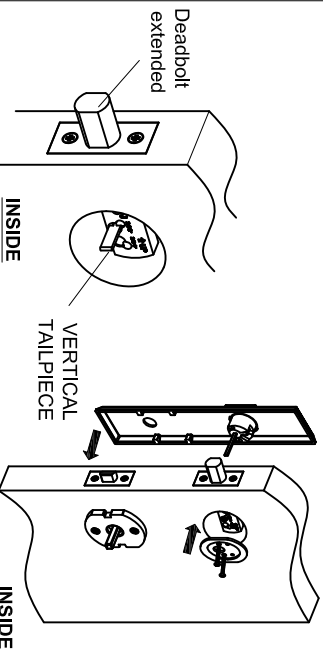
11. From the inside of the door insert the spindle in the direction of the ARROW through the square hole on the latch, ensuring the groove side of the spindle is facing toward the hinges on the door. Slide the spindle through the latch until the stops of the spindle make contact with the latch.



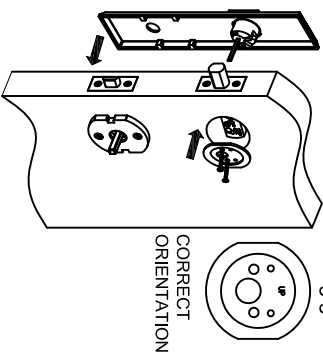
12. From the Outside, Install the Outside Mounting Plate and from the inside install the Internal Mounting Plate. Secure the mounting plates in place using 2 mounting screws. Note, Inside mounting plate 2 Countersink holes to receive the mounting screws. **DO NOT OVERTIGHTEN SCREWS.**



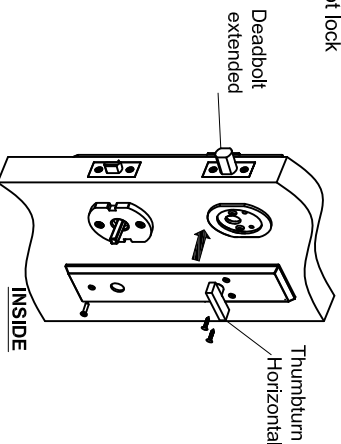
13. Install the External Backplate on outside of the door. Ensure to extend the deadbolt using a screwdriver and insert the Cylinder Tailpiece through the + slot of the deadbolt with the cylinder tailpiece in a vertical position.



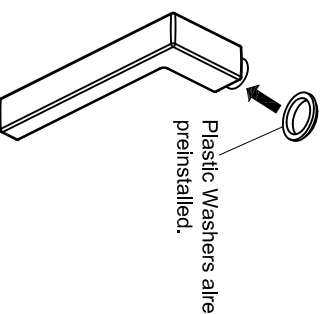
14. From the inside of the door orient the turn piece mounting plate and secure by inserting the two deadbolt mounting screws through the turn piece mounting plate, lock, and into the cylinder housing. Test the deadbolt by locking and unlocking the deadbolt with the key. If the deadbolt does not lock or unlock refer to the trouble shooting guide.



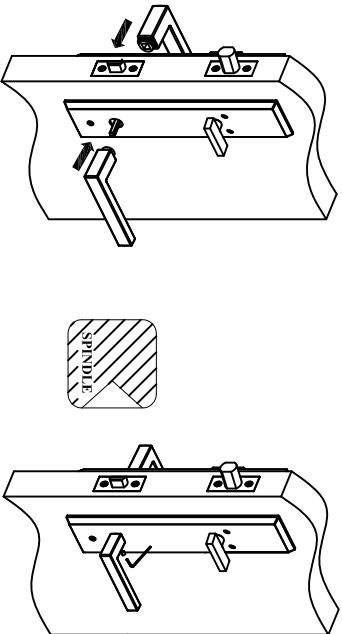
15. Position the interior trim over the mounting plate and insert the cylinder tailpiece into the thumbturn of the interior trim.



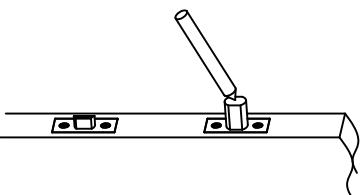
16. Plastic washers are already preinstalled on the levers. Place the plastic washer on the shank of the knob or lever. Spare washer is also packed



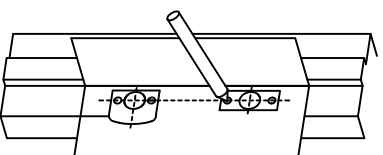
17. Press the lever snugly against the interior trim assembly and tighten the set screw with the provided Allen wrench. **Note:** The set screw should be located on the inside of the lever to engage into the spindle groove.



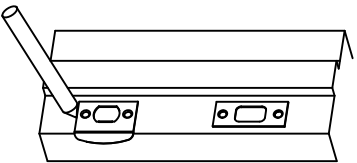
18. Mark the edge of the deadbolt with either chalk, lipstick, or grease pencil. With weather stripping installed on the door close the door and lock the deadbolt to mark the center of the deadbolt.



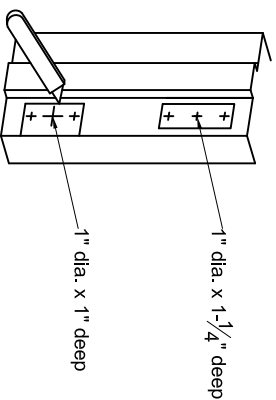
19. Align the center marking of the deadbolt with center marking of the deadbolt strike plate on the template. From the template mark, the mounting screw hole at center markings of the deadbolt and latch strike plate



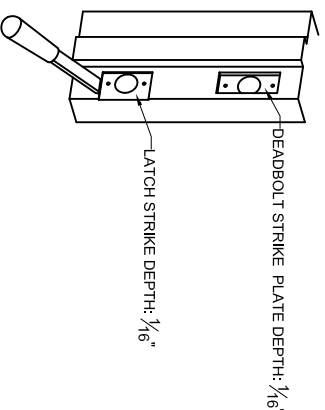
20. Align the latch strike plate using the screw hole locations and trace the outline of the latch strike plate.



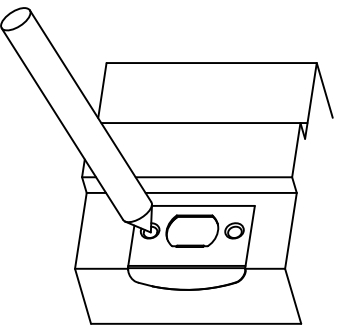
21. Bore (2) 1" dia. holes at the center marking of the deadbolt strike plate 1-1/4" deep and 1" deep for the latch strike plate. With a utility knife score the chisel edge markings into the door frame.



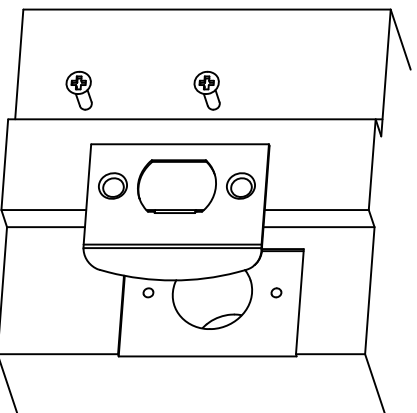
22. Chisel out the area marked in step 24 until the latch and deadbolt strike (with reinforcing if applicable) are flush with the door. The approximate latch and deadbolt strike (without reinforcing) depth should be 1/16" deep. If using the reinforcing plate with the deadbolt strike the depth should be 7/32".



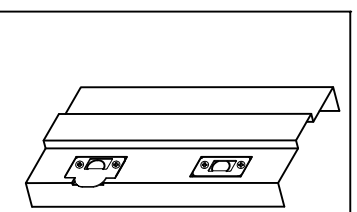
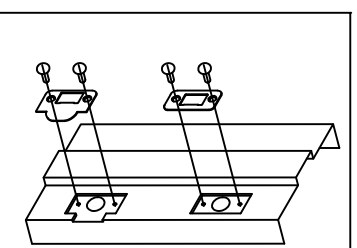
23. Using the latch strike plate as template mark and drill (2) 1/8" pilot holes.



24. Secure the latch strike in place using (2) combo screws.



25. Secure the deadbolt strike in place using (2) combo screws.



TROUBLE SHOOTING GUIDE

PROBLEM

Can't extend (lock) deadbolt unless key is in cylinder. Can't remove key from cylinder when the deadbolt is extended (locked).

Knob or lever keeps coming off the spindle

Deadbolt can easily be locked using the interior plate assembly on the inside but is difficult to lock when locked with the key from the outside.

Cannot extend deadbolt with the interior plate assembly or key when door is closed.

Latch bolt is free spinning.

Latch Backset is 2-3/8" Need 2-3/4"

SOLUTION

Cylinder tailpiece is not oriented properly. Remove the cylinder by first removing the turnpiece trim, and turnpiece mounting plate. Ensure the key is not inserted into the cylinder during the installation. Rotate the cylinder tailpiece vertical with the deadbolt extended and reinstall the deadbolt assembly. Refer to steps 13 through 17

Ensure the spindle is oriented with the groove as illustrated and the set screw is securely tightened. Refer to step 11.

The cylinder is not properly aligned with the interior plate assembly or improper door thickness. Remove the internal plate assembly and loosen the two mounting plate screws. Align the cylinder and re-tighten the deadbolt mounting screws. Ensure your door thickness is at least 1-3/4" thick. Please ensure to check the cylinder tailpiece is oriented correctly.

Open door and try to extend deadbolt. If deadbolt extends easily with the door open then the strikes are not aligned with the deadbolt and/or locking points. Adjust the strike to align with the deadbolt and/or locking points.

The latch Faceplate may not be installed on the latch. Please refer to Steps 7 & 8.

Please email info@rockwellsecurityinc.com with order information and check availability of a 2-3/4" latch.