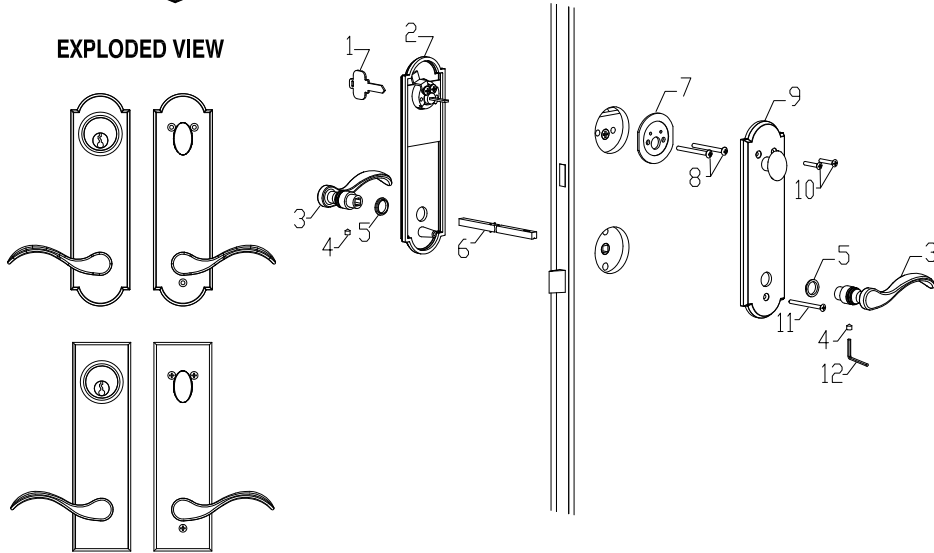




# MULTIPOINT HANDLE SET INSTALLATION INSTRUCTIONS

## EXPLODED VIEW



1. Key
2. External Trim Assembly
3. Lever
4. Set Screw
5. Nylon Washer
6. Spindle
7. Deadbolt Mounting Plate
8. 2" Pan Head Machine Screw
9. Interior Trim Assembly
10. 7/8" Oval Head machine Screw
11. 2" Oval Head Machine Screw
12. Allen Wrench

## BEFORE YOU BEGIN

Check door thickness as handle will work with a 1-3/4" thick door only. If door thickness is greater than 1-3/4" up to 2-1/4" thick please contact Rockwell Security Inc.

Remove and discard all packaging materials and verify you have all the parts in the exploded view section of instructions

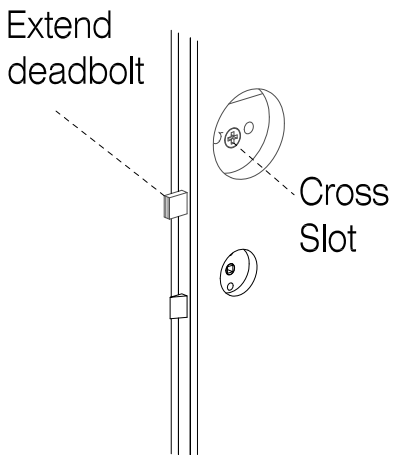
**Follow step by step installation instructions to ensure proper operation of handle set.**

Always wear protective eyewear.

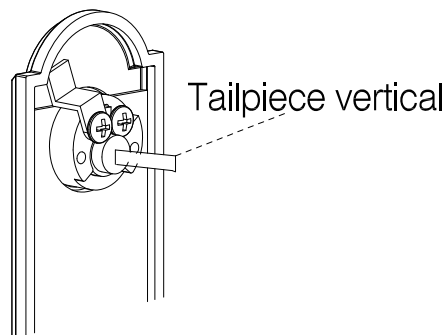
## REQUIRED TOOLS

- Protective Eyewear
- #2 Phillips Screwdriver
- Pencil
- 1/8" Drill Bit

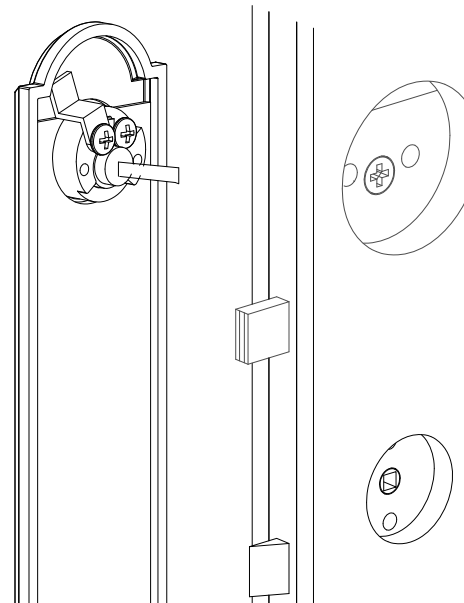
1. Using a Phillips screwdriver, extend the deadbolt of the MP lock by inserting into the cross slot on the top hole and turning 90 degrees.



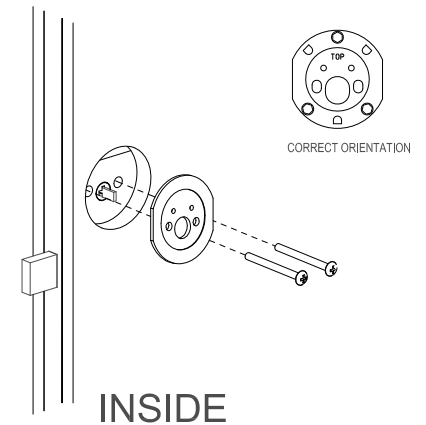
2. Install the external trim assembly with the tailpiece in a vertical position. Do not insert the key into the locking cylinder during this step.  
Note: IMPROPER ORIENTATION OF THE TAILPIECE MAY CAUSE THE DEADBOLT NOT TO FUNCTION PROPERLY



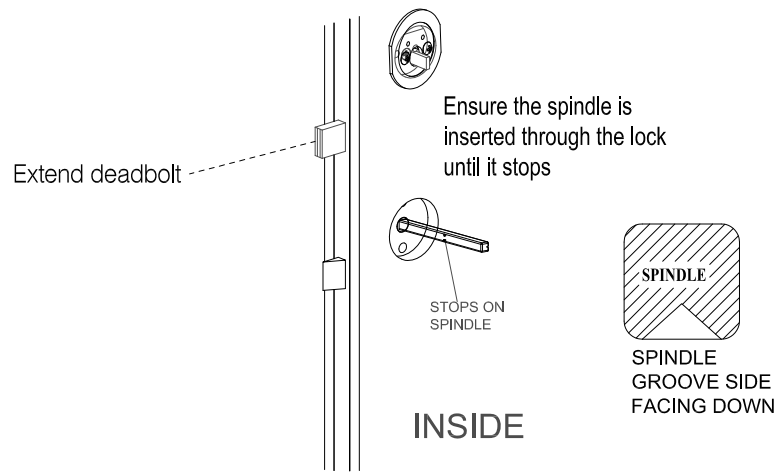
3. From the outside of the door, install the external trim assembly by inserting the vertical cylinder tailpiece into the cross slot on the top hole.



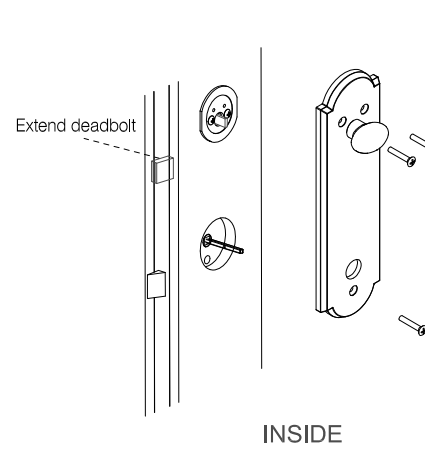
4. Secure the external trim with the deadbolt mounting plate. From the interior of the door orient the deadbolt mounting plate and secure by inserting the two 2" pan head machine screws through the deadbolt mounting plate, lock and into the cylinder housing.



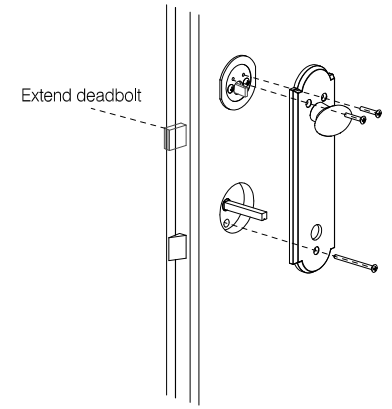
5. From the inside of the door, insert the spindle through the square hole on the lock. Ensure the grooves on the spindle are facing down. Insert spindle with the stamped arrow through the square hole of the lock until the stops on the spindle are flush with the lock body.



6. From the inside of the door, install the internal trim with deadbolt extended. Ensure the turnpiece is oriented horizontally.



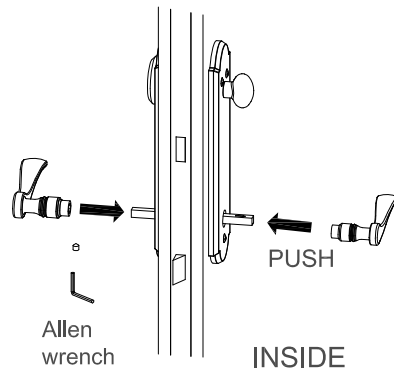
7. Secure the internal trim with the 2 pcs 7/8" Oval Pan Head Screws above the turnpiece and the 2" Oval head machine screw on the bottom screw hole of the internal trim.



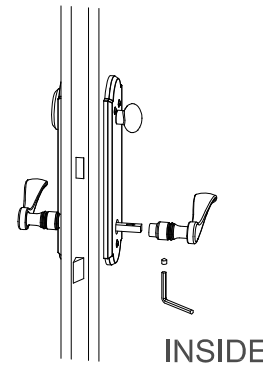
8. Plastic washers are already preinstalled on the levers. Place the plastic washer on the shank of the lever. Spare washer is also packed.



9. Slide the exterior lever onto the spindle while pushing on the spindle from the inside of the door at the same time. Make sure the stops of the spindle are flush on the lock from the inside and there is no gap between the lever and external trim on the outside. Tighten the set screw with the Allen wrench provided.

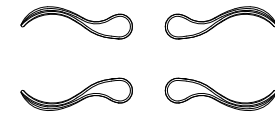


10. Install the interior trim by slipping the lever onto the spindle and pressing it against the internal trim. Secure by tightening the set screw with the Allen wrench provided. Ensure there is no gap between the lever and the internal trim.



11. Ensure Levers are oriented correctly.

CORRECT ORIENTATION



INCORRECT ORIENTATION

**TRUBLE SHOOTING GUIDE**

**PROBLEM**

Can't extend (lock) deadbolt unless key is in cylinder. Can't remove key from cylinder when the deadbolt is extended (locked).

**SOLUTION**

Cylinder tailpiece is not oriented properly. Remove the internal trim and deadbolt mounting plate. Rotate the cylinder tailpiece to the vertical position ensuring the deadbolt latch is extended and re-install the deadbolt assembly. Refer to steps 2 thru 7.

Lever keeps coming off the spindle

Ensure the spindle is oriented with the groove facing down and the set screw is securely tightened. Refer to steps 5 and 8.

Deadbolt can easily be locked using the interior trim assembly on the inside but is difficult to lock when locked with the key from the outside.

The cylinder is not properly aligned with the interior trim assembly or improper door thickness. Remove the internal trim assembly and loosen the two mounting plate screws. Align the cylinder and retighten the deadbolt mounting screws. Ensure your door thickness is at least 1-3/4" thick

Cannot extend deadbolt with the interior plate assembly or key when door is closed.

Open door and try to extend deadbolt. If deadbolt extends easily with the door open then the strike is not aligned with the deadbolt and/or locking points. Adjust the strike to align with the deadbolt and/or locking points.