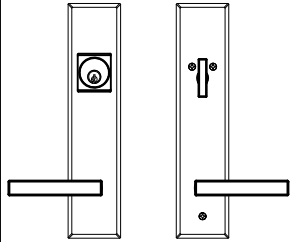


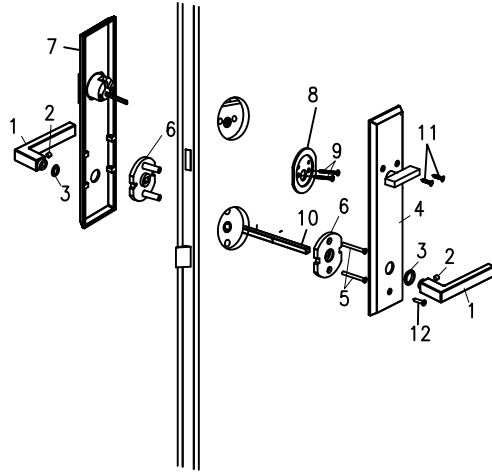


# ENTRY HANDLE SET INSTALLATION INSTRUCTIONS



H433

## Exploded View Multipoint Handle Set



- 1.Lever (2pcs)
- 2.Set screw (2pcs)
- 3.Plastic washer (2pcs)
- 4.INTERNAL BACKPLATE(1pc)
- 5.# 8-32x1-3/4" Flat head machine screw(2pcs)
- 6.Adaptor (2pcs)
- 7.EXTERNAL BACKPLATE(1pc)
- 8.Turn piece mounting plate (1pc)
- 9.#10-32x2" pan head machine screw (2pcs)
- 10.Spindle (1pc)
- 11.#8-32x1" oval head machine screw (2pcs)
12. Tapping screw(1pc)

### BEFORE YOU BEGIN

Check door thickness as handle will work with a 1-3/4" thick door only. If door thickness is greater than 1-3/4" up to 2-1/4" thick please contact Rockwell Security Inc.

Remove and discard all packaging materials and verify you have all the parts in the exploded view section of instructions

**Follow step by step Installation Instructions to ensure proper operation of handle set.**

**Always wear protective eyewear.**

### REQUIRED TOOLS

Protective Eyewear	#2 Phillips Screwdriver
1/8" Drill Bit	3/8" Drill Bit
1" Hole Saw	2-3/8" Hole Saw
Drill	Measuring Tape
1/2" Chisel	Utility Knife
Pencil	Chalk, Grease Pencil, or Lipstick

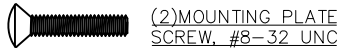
### INSTALLATION FASTENERS



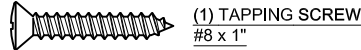
(2) MOUNTING PLATE SCREW  
#8-32 x 1-1/2"



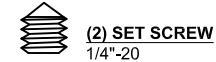
(2) DEADBOLT MOUNTING SCREW  
#10-32 x 2"



(2) MOUNTING PLATE SCREW, #8-32 UNC

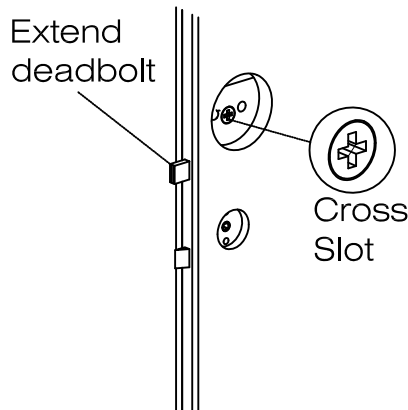


(1) TAPPING SCREW  
#8 x 1"

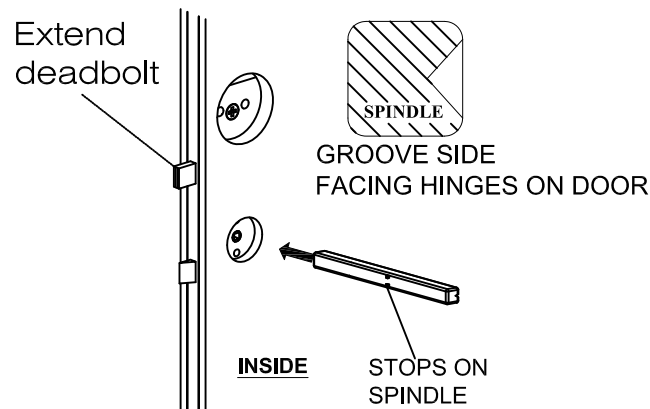


(2) SET SCREW  
1/4"-20

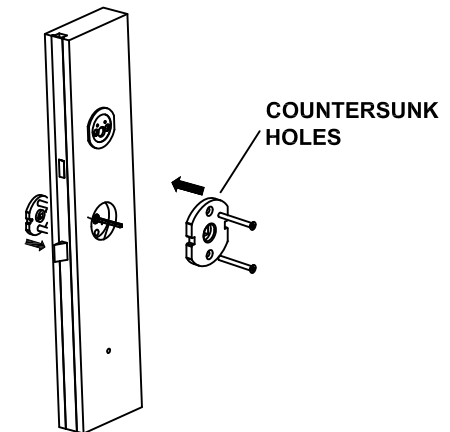
1. Using a philipps screwdriver extend the deadbolt of the MP lock by inserting into the "+" Cross Slot on the top hole and turning 90 degrees



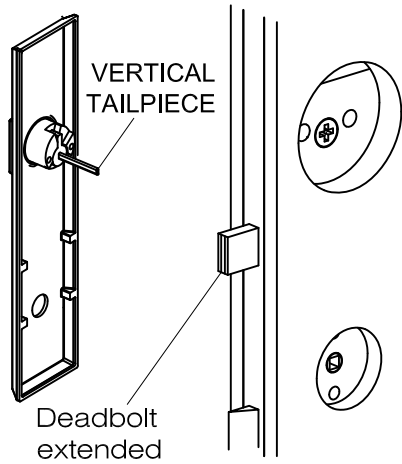
2. From the inside of the door insert the the spindle in the direction of the ARROW through the square hole on the latch, ensuring the groove side of the spindle is facing toward the hinges on the door. Slide the spindle through the latch hole until the stops of the spindle make contact with the latch.



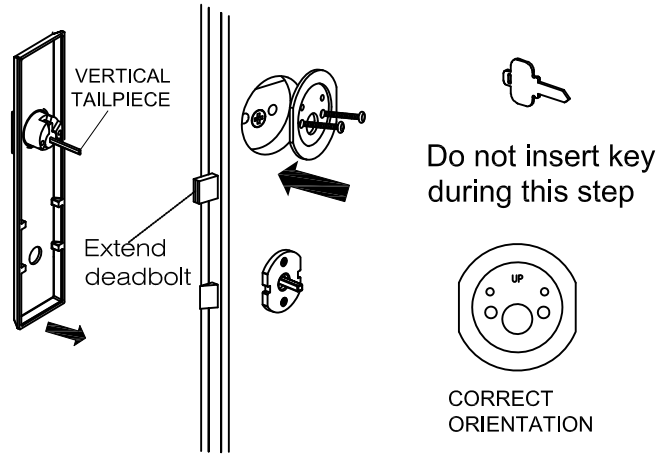
3. From the Outside, Install the External Mounting Plate and from the inside install the Internal Mounting Plate. Secure the mounting plates in place using the 2 mounting screws. Note, Inside mounting plate has 2 Countersink holes to receive the mounting screws. DO NOT OVERTIGHTEN SCREWS.



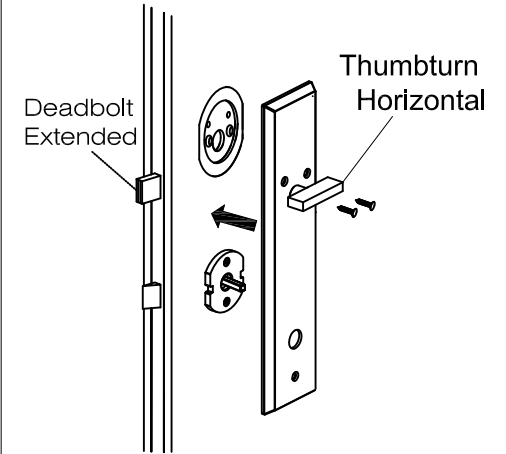
4. Take the External Backplate and orient the tailpiece of the cylinder into the vertical position. Install the External trim by positioning the vertical tailpiece into the cross slot on the lockset. Do not insert the key into the keyed cylinder during this step. Note: Improper orientation of the tailpiece may cause the deadbolt to not function correctly.



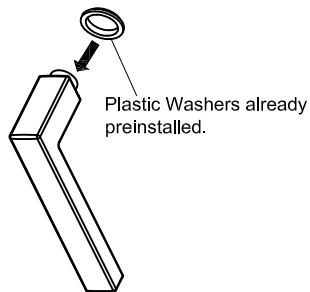
5. From the inside of the door orient the turn piece mounting plate and secure by inserting the two deadbolt mounting screws through the turn piece mounting plate, lock, and into the cylinder housing. Test the deadbolt by locking and unlocking the deadbolt with the key. If the deadbolt does not lock or unlock refer to the trouble shooting guide.



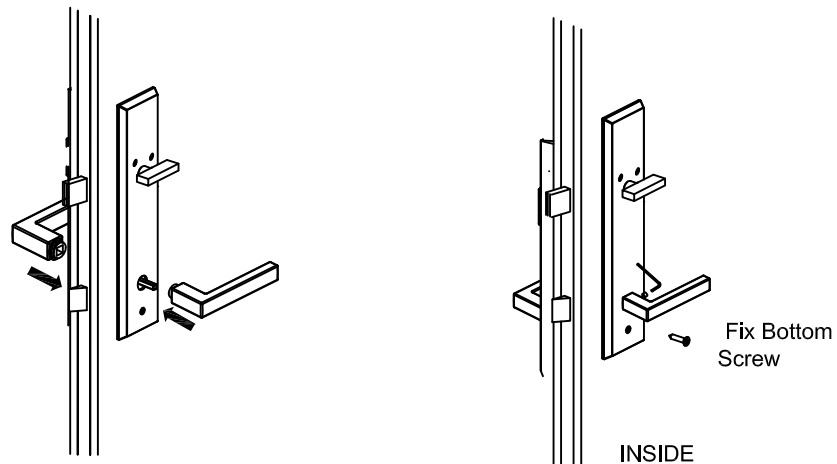
6. Position the interior trim over the mounting plate and insert the cylinder tailpiece into the thumbturn of the interior trim. Secure the trim with the Oval Pan head screws.



7. Plastic washers are already preinstalled on the levers. Place the plastic washer on the shank of the lever. Spare plastic washer is also packed



8. Press the lever snugly against the interior trim assembly and tighten the set screw with the provided Allen wrench. While pushing on the internal lever, push the external lever into the external side of the door and tighten the set screw. **Note:** The set screw should be located on the inside of the lever to engage into the spindle groove. Fix the Bottom screw (tapping screw) upon completion on the Internal Plate.



## TROUBLE SHOOTING GUIDE

### **PROBLEM**

Can't extend (lock) deadbolt unless key is in cylinder. Can't remove key from cylinder when the deadbolt is extended (locked).

Knob or lever keeps coming off the spindle

Deadbolt can easily be locked using the interior plate assembly on the inside but is difficult to lock when locked with the key from the outside.

Cannot extend deadbolt with the interior plate assembly or key when door is closed.

### **SOLUTION**

Cylinder tailpiece is not oriented properly. Remove the cylinder by first removing the turnpiece trim, and turnpiece mounting plate. Rotate the cylinder tailpiece vertical with the deadbolt extended and reinstall the deadbolt assembly. Refer to steps 5 through 6.

Ensure the spindle is oriented with the groove facing door hinge and the set screw is securely tightened. Refer to step 8.

The cylinder is not properly aligned with the interior plate assembly or improper door thickness. Remove the internal plate assembly and loosen the two mounting plate screws. Align the cylinder and re-tighten the deadbolt mounting screws. Ensure your door thickness is at least 1-3/4" thick. Please ensure to check the cylinder tailpiece is oriented correctly.

Open door and try to extend deadbolt. If deadbolt extends easily with the door open then the strikes are not aligned with the deadbolt and/or locking points. Adjust the strike to align with the deadbolt and/or locking points. Ensure the strike hole is deep enough for the deadbolt to engage.