



# Rockwell Hydraulic Power Adjustable Concealed Floor Spring Hinge

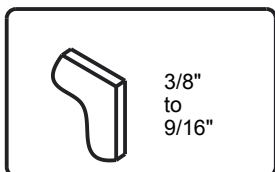
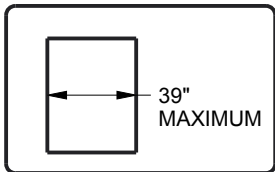


### Presentation:

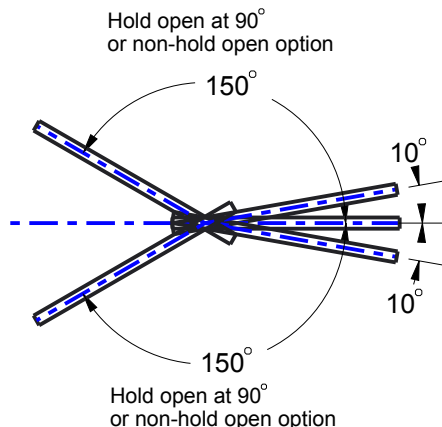
The Hydraulic Concealed Floor Spring Closer incorporates a speed adjusting valve to adjust your closing speed along with a brake adjusting valve to adjust braking speed. The Concealed Floor Spring Closer has a Dual Action Functioning range of 150 degrees making it suitable for single or double action doors and is non-handed making it suitable for both LH and RH doors with a maximum door panel weight of 220 lbs. It is available with or without the Hold Open feature at 90 degrees. The Base Plate on the PF Series is also adjustable to ensure alignment of the door panel. The Stationery position of the door can be adjusted horizontally left to right and forward and back by 1/8" with the door opening angle also adjustable by 4°.

### Technical Specifications:

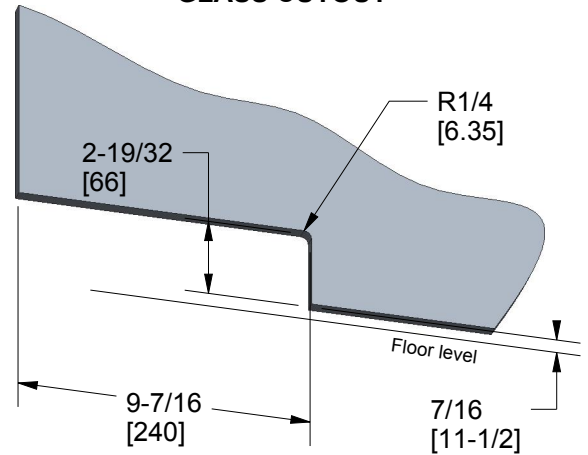
Glass Thickness: 3/8" - 9/16" Tempered Glass  
 Maximum Glass Door Width: 39"  
 Maximum Glass Door Weight: 220 lbs.  
 Handing: Non -Handed suitable for Right or Left Hand Doors  
 Dual Action: 150 ° suitable for single or double action doors  
 Power Adjustable: Adjustable Spring Tension for Door sizes 3-5



### FUNCTIONING RANGE



### GLASS CUTOUT



**Please read all instructions carefully prior to starting.**

*Please wear safety gear appropriate for all tools used.*

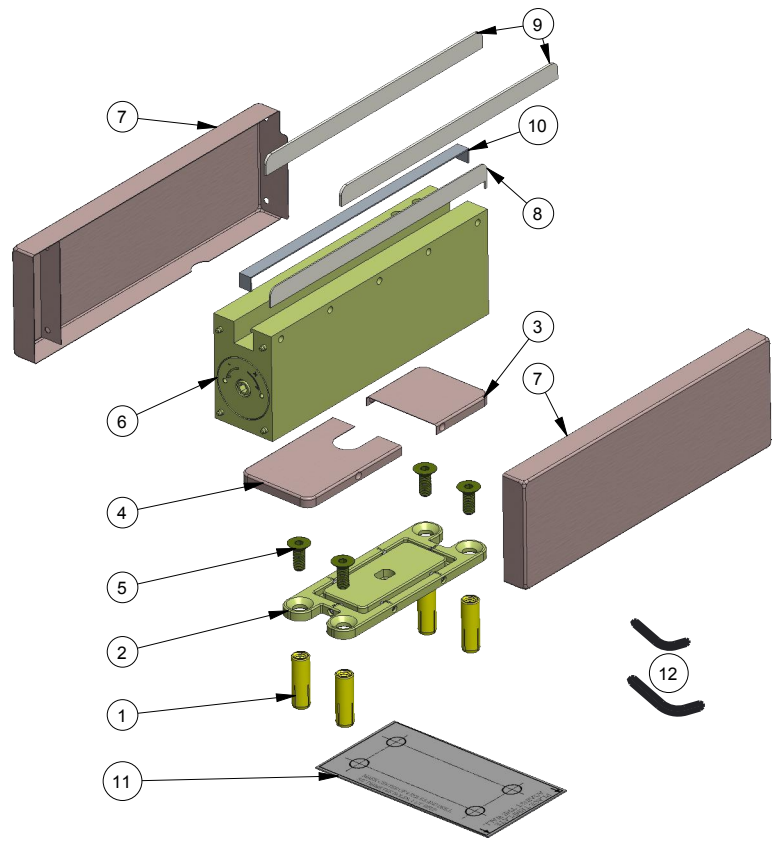
*Eye protection should be worn at all times. Doors are heavy and should be lifted by 2 people at all times. Mishandling of heavy objects may cause loss of balance and injury. Always take precautions in assuring proper balance and wear safety shoes to avoid injury. Take care when operating the product or door to prevent fingers catching .*

**Part list:**

1. Brass floor anchors (X 4)
2. Base plate
3. Base plate short cover
4. Base plate long cover
5. Base plate mounting screws (X4)
6. Hinge body
7. Hinge body covers (Right and Left)
8. Glass packer
9. Gasket shim (X4)
10. Plastic shim
11. Template
12. Allen wrench (X2)

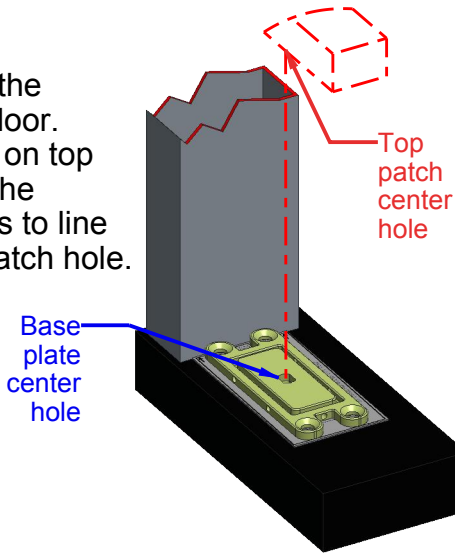
**Required tools:**

- Drill bit  $\phi$  3/8"(10mm)
- Measure tape
- Screwdriver 3/16"(5mm) slotted
- Rubber mallet
- $\phi$  1/2" punch



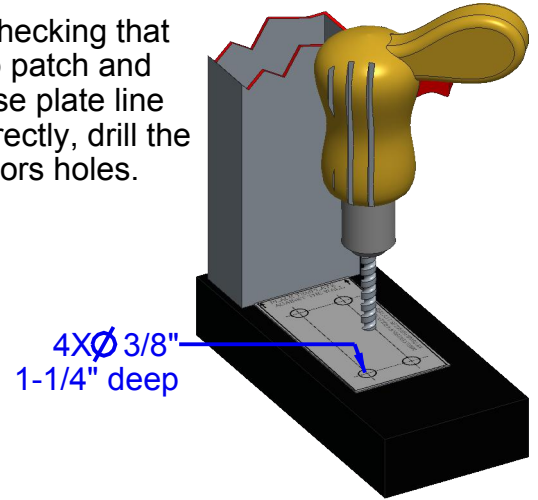
**Check position**

Locate and tape the template on the floor. Line up the base on top of the template. The center hole needs to line up with the top patch hole.



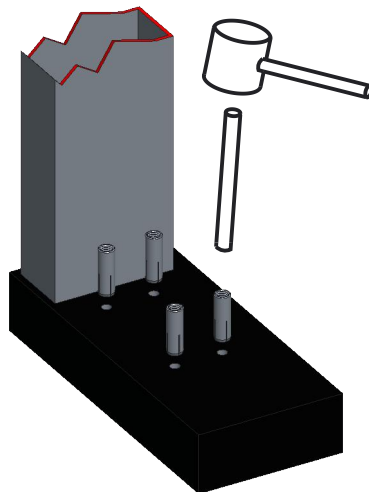
**1**

After checking that the top patch and the base plate line up correctly, drill the 4 anchors holes.



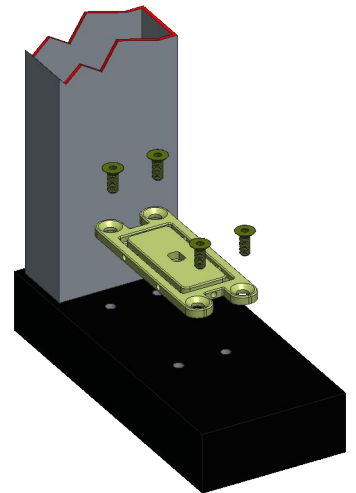
**2**

Using a rubber mallet and a  $\phi$  1/2" punch, insert the 4 anchors flush into the holes.



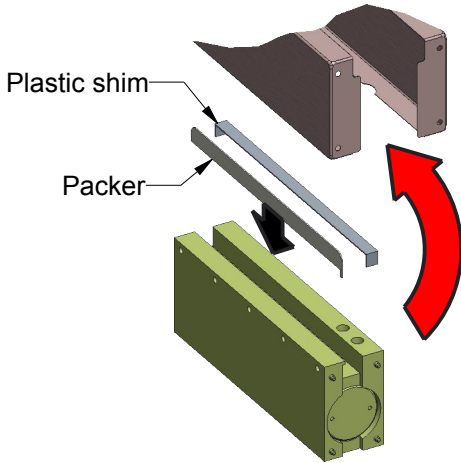
**3**

Install the base plate and secure with the 4 mounting screws.



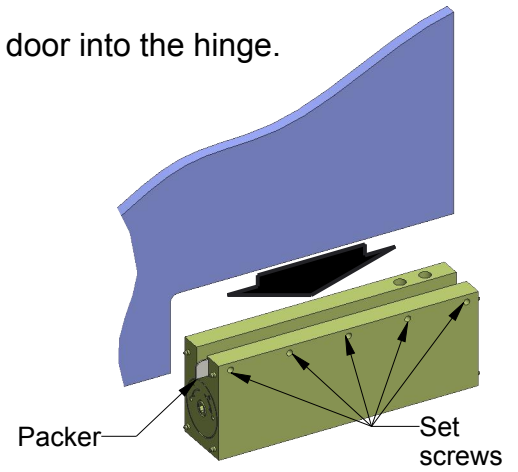
4

Remove the covers from the Hinge. Install the glass packer and the plastic shim.



5

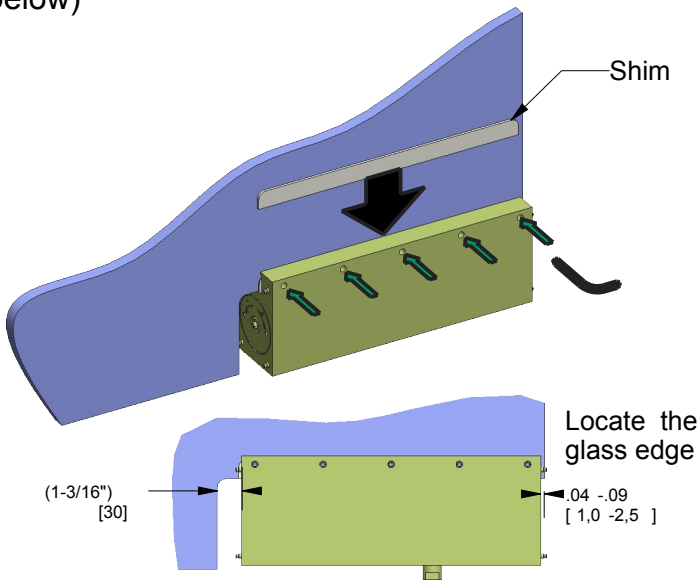
Insert the glass door into the hinge.



**GLASS PACKER NEEDS TO BE BETWEEN THE SET SCREWS AND THE GLASS. TO PREVENT DAMAGE TO THE GLASS DOOR**

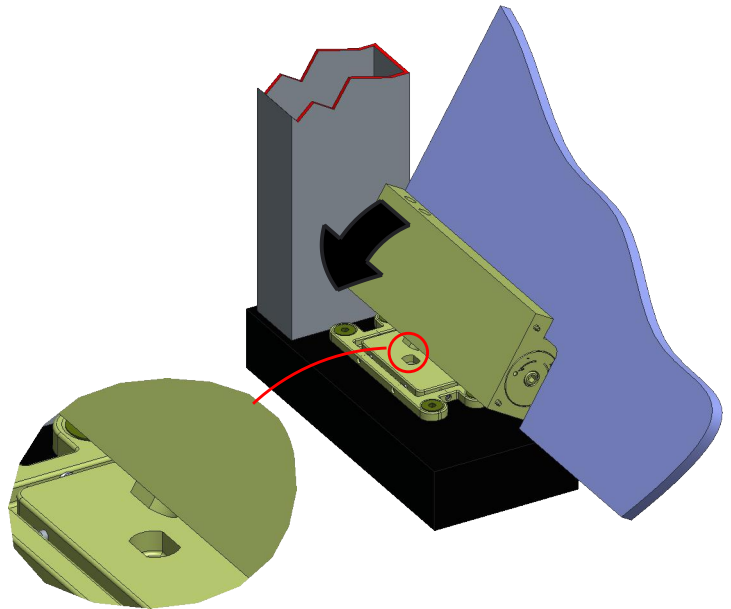
6

Use the gasket shims on each side of the glass as needed. Two (2) shims on each side if glass is 3/8" thick. Locate the glass edge (see below) and tighten the 5 screws with the provided allen wrench. **DO NOT OVERTIGHTEN.** (A gap of 1-3/16" is required to insert the hex key provided to adjust the Power Control. See view below)



7

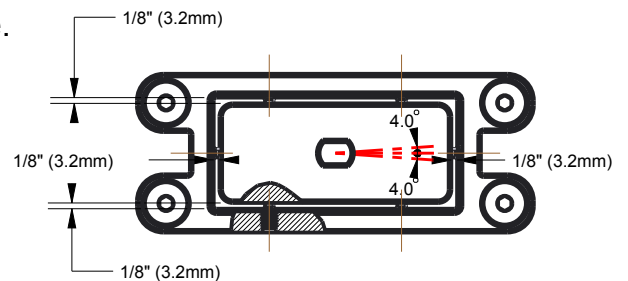
Install the hinge and glass assembly on the base plate.



8

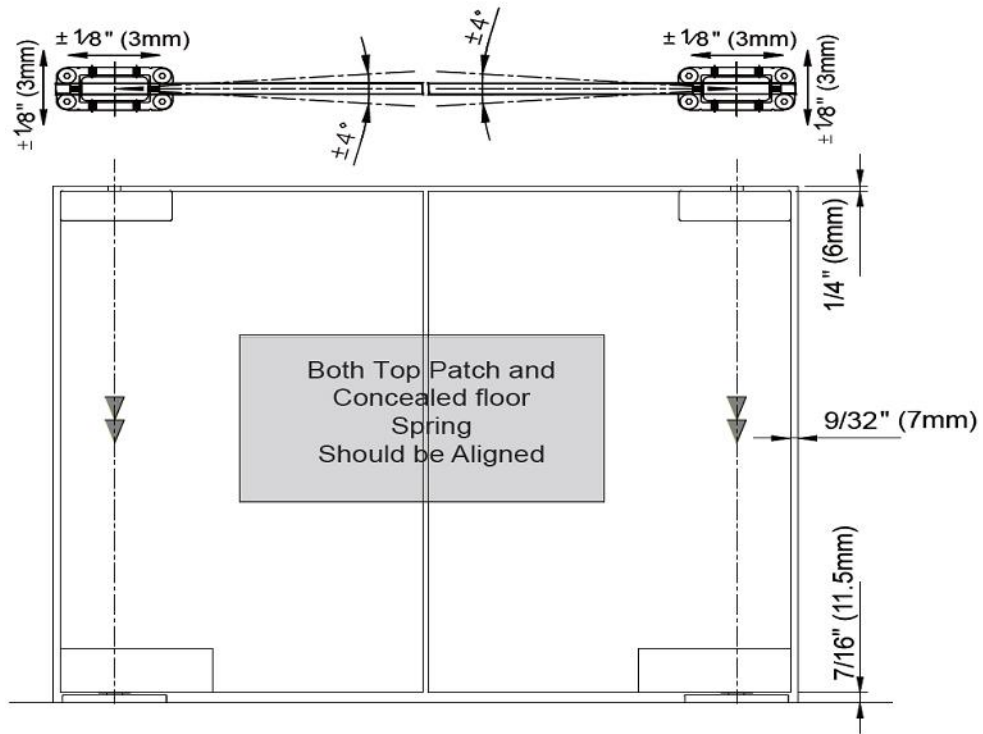
Close the door. Check and adjust alignment using the hex wrench on the 6 set screws on the 4 sides of the base plate. The allen screws will allow for a  $\pm 4^\circ$  angle adjustment and  $\pm 1/8"$  horizontal and  $\pm 1/8"$  side adjustment. Refer to the scheme on the next page to adjust the door.

Once you have aligned the door, tighten the screws on the opposite end first to maintain the adjustment. **DO NOT OVERTIGHTEN.**



Base plate adjustment range

## Door Adjustment



### 9

The spring Power Control is preset for a Size 3 door.

For a Size 4 door, turn the Power Control adjustment screw five (5) turns clockwise.

For a Size 5 door, turn the Power Control adjustment screw eleven (11) turns clockwise.

Adjust the closing speed with a screwdriver, with the door open at a  $45^\circ$ . Turn the screw #1 clockwise to reduce the closing speed or counterclockwise to increase it.

Adjust the Brake Speed, with the door open at a  $45^\circ$ . Turn the screw #2 clockwise to reduce the brake speed or counterclockwise to increase it.

Attach the short base plate cover and the Long Base Plate Cover. The Long Base Plate cover may require positioning it an angle for easy installation. Attach the Hinge Body covers positioning the back end prior to the front end.

The diagrams show the internal components of the hinge assembly. The left diagram shows the hinge body with two screws: #1 CLOSING SPEED and #2 BRAKE SPEED. The middle diagram shows the door at different angles:  $0^\circ$  to  $10^\circ$  (labeled #2) and  $10^\circ$  to  $150^\circ$  (labeled #1). The right diagram shows the installation of the hinge body covers, with arrows indicating the "Back end first" direction.

**POWER CONTROL**

N° of turns	Direction	Size
0	Factory preset	3
5	+	4
11	+	5