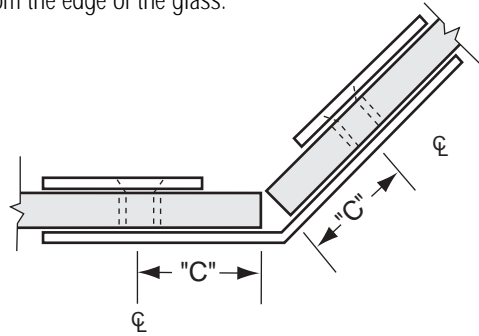




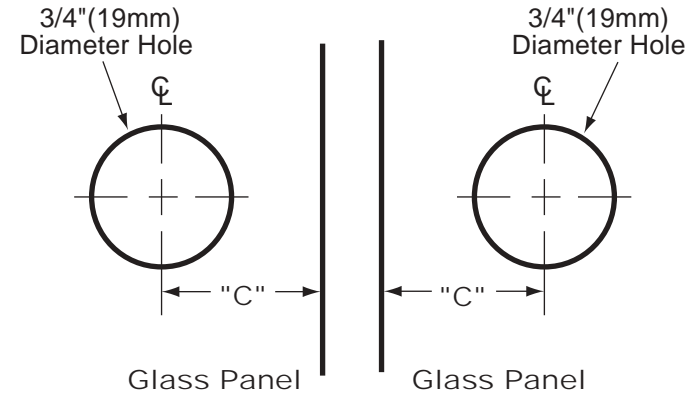
TYPICAL INSTALLATION

Important: Project measurements from the edge of the glass.



GLASS THICKNESS	"C"
3/8"	1-5/16"
1/2"	1-1/4"

TEMPLATE OPTION FOR SQUARE CUT GLASS



135° GLASS CLAMPS

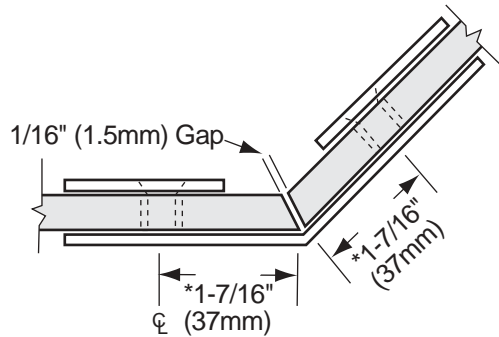
Template Options for 135° Glass to Glass Application

CAT. No. **SDGC135**

ALWAYS USE DIMENSIONS TO ENSURE ACCURACY

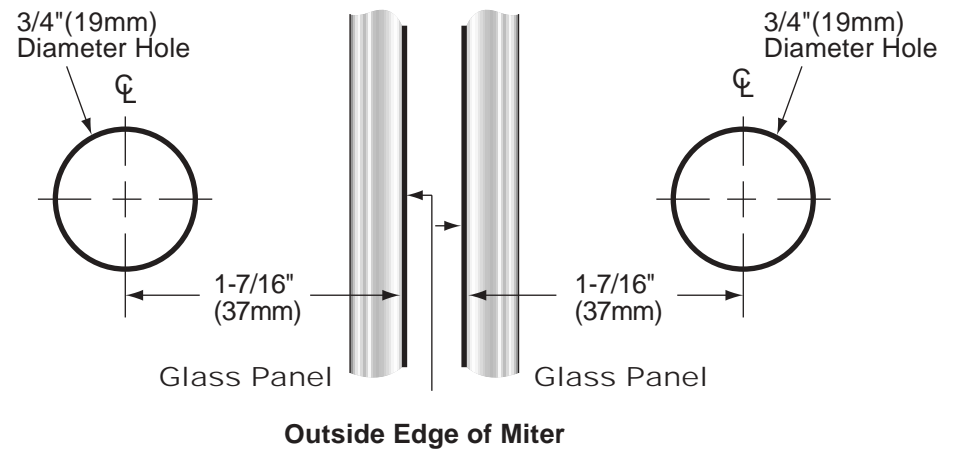
TYPICAL INSTALLATION

Important: Project measurements from the outside **EDGE** of the mitered glass.



*From the Outside Edge of Miter

TEMPLATE OPTION FOR 22-1/2° MITERED GLASS



Outside Edge of Miter

