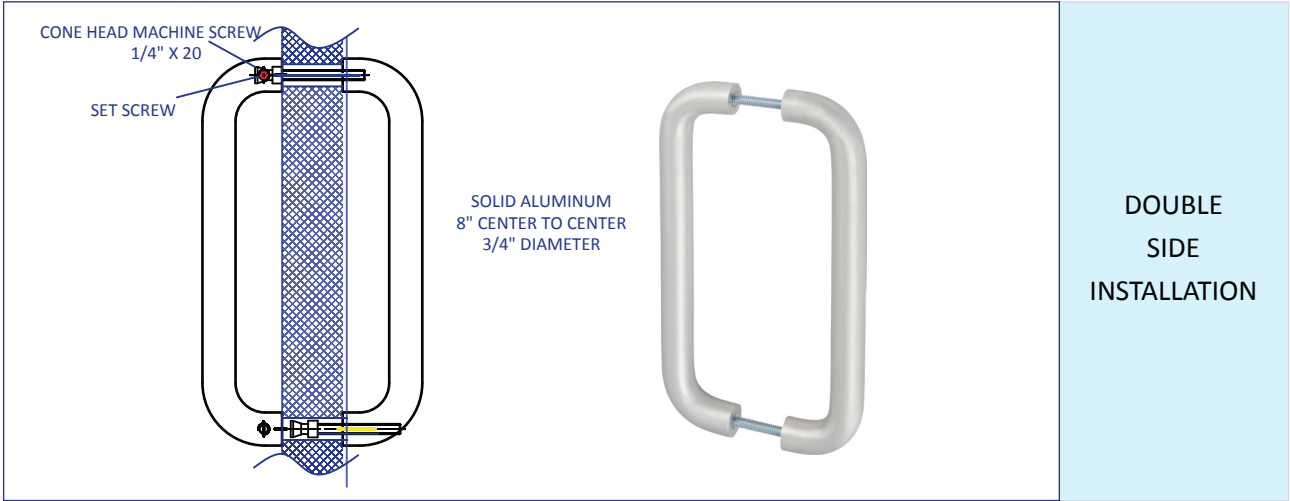
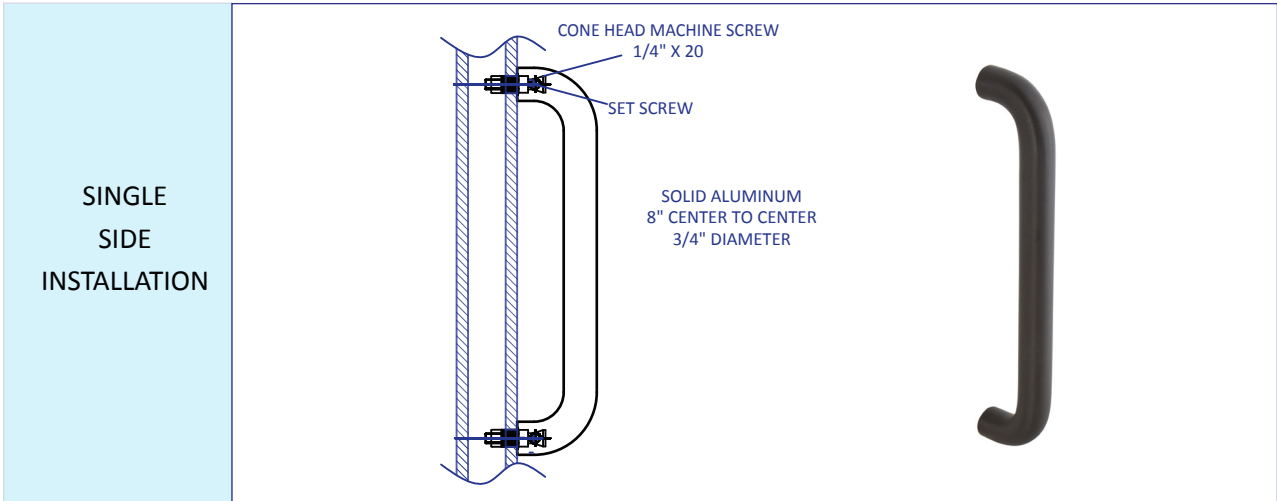




Solid Aluminum Inline Sliding Door Handles



Rockwell Solid Aluminum Inline handles are available in single side or back to back handles.

PART NUMBER	FINISH	SPECIFICATION
80010014	ANODIZED BLACK	SINGLE
80010016	ANODIZED SILVER	SINGLE
80010114	ANODIZED BLACK	DOUBLE
80010116	ANODIZED SILVER	DOUBLE

Specification:

Construction: Solid Aluminum 6063 Series

Finish: Anodized Black or Silver

Dimensions: 8" Center to Center

Diameter: 3/4"

Projection: 1.8"

Variants: Single Side or Double Sided Handles

Set Screws: 300 series Stainless Steel

Profile: Low Profile 1.8" protrusion from the face of the door clears screen doors.

Mounting Bolt Size: 1/4" x 20 Cone Head Machine Screw