

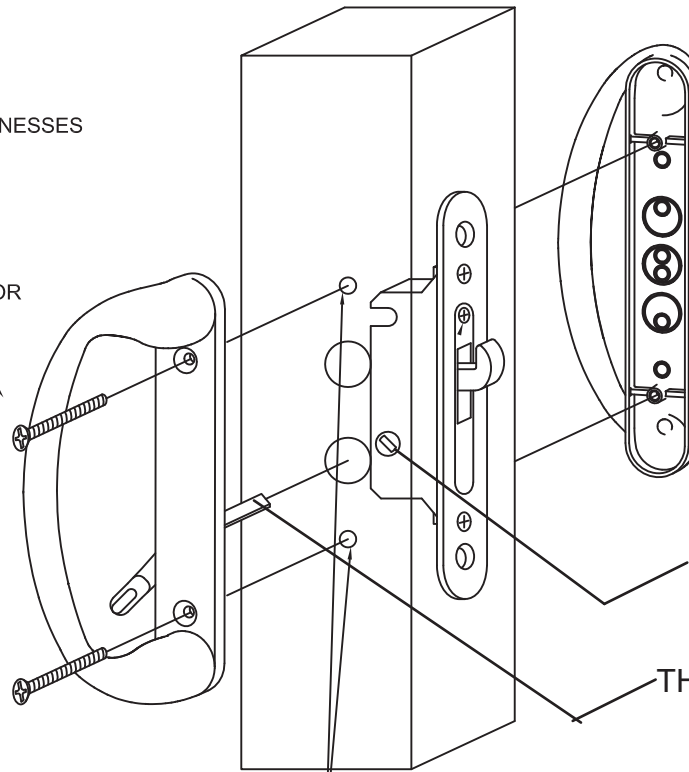
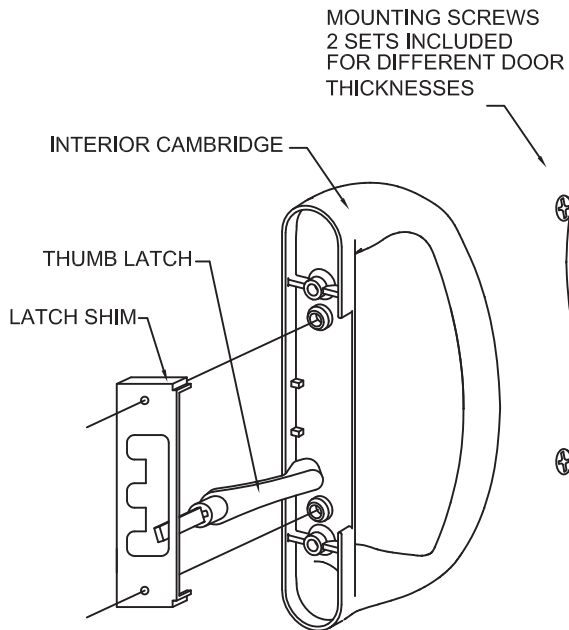
ROCKWELL SLIDING DOOR HANDLE

INSTALLATION INSTRUCTION

1 ASSEMBLE INTERIOR HANDLE

ASSEMBLE THE THUMB LATCH AND LATCH SHIM.

CHECK DOOR THICKNESS. 2 SETS OF MOUNTING SCREWS HAVE BEEN INCLUDED TO FIT DOOR THICKNESSES 1.38" - 1.555" OR 1.69" - 1.85"



3 HANDLE INSTALLATION

INSERT PLASTIC WASHERS INTO SCREW HOLES, IF INCLUDED. INSERT THUMB LATCH TAIL INTO DOOR LATCH HUB SLOT. PLACE THE INTERIOR AND EXTERIOR HANDLE ASSEMBLIES ON DOOR WITH HANDGRIP TOWARDS GLASS. INSERT THE 2 MOUNTING SCREWS THROUGH PLATES AND TIGHTEN. DO NOT OVERTIGHTEN SCREWS

2 IF REQUIRED

RE-DRILL SCREW HOLES WITH 1/4" DRILL, DRILL FROM EXTERIOR OF DOOR. HOLES ON THE FACE OF THE DOOR VARY BY MANUFACTURER SOME HAVE 3 HOLES, 4 HOLES OR 6 HOLES SIZE OF THE HOLES ALSO VARY.