

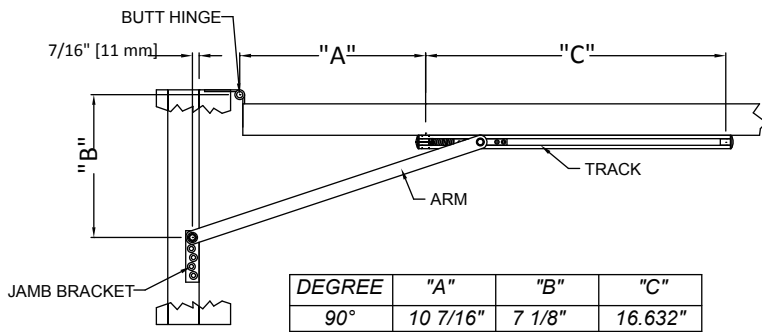
# Surface Mounted Overhead Door Stops



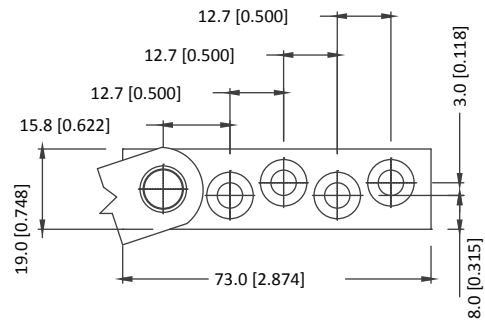
## 18040032 SERIES Installation

1. FOR A 90° STOP DETERMINE DIMENSIONS "A", "B", AND "C" FOR THE ABOVE ILLUSTRATION FROM THE TABLE.

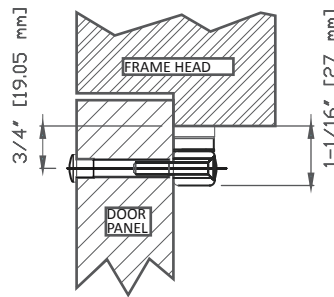
2. USING SCREW A INSTALL JAMB BRACKET ON THE HEAD OF THE DOOR JAMB AT DIMENSION "B" AS SHOWN ABOVE



DEGREE	"A"	"B"	"C"
90°	10 7/16"	7 1/8"	16.632"



3. WITH THE DOOR CLOSED, POSITION THE TRACK WITH SPRING STOP CLOSEST TO THE HINGE ENSURING THE TRACK IS PARALLEL AND HORIZONTAL WITH DOOR STOP ARM. DRILL A 5/16" DIAMETER HOLE AT DIMENSION "A" FOR SEX BOLT A, 3/4" DOWN FROM THE DOOR FRAME THROUGH THE DOOR PANEL AS SHOWN AND INSTALL SEX BOLT. INSERT SEX BOLT A FROM THE EXTERNAL SIDE OF THE DOOR AND SECURE THE TRACK IN PLACE AT "A" USING SCREW B.



4. WITH THE TRACK INSTALLED ON THE DOOR AT DIMENSION "A", LOCATE DIMENSION "C" AND DRILL A 5/16' DIAMETER HOLE AND INSTALL SEX BOLT "A" AND SECURE WITH SCREW B TO COMPLETE INSTALLATION.

