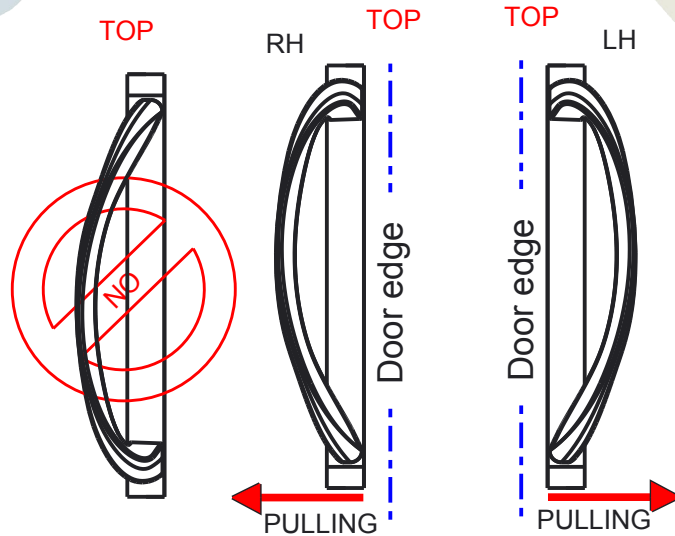
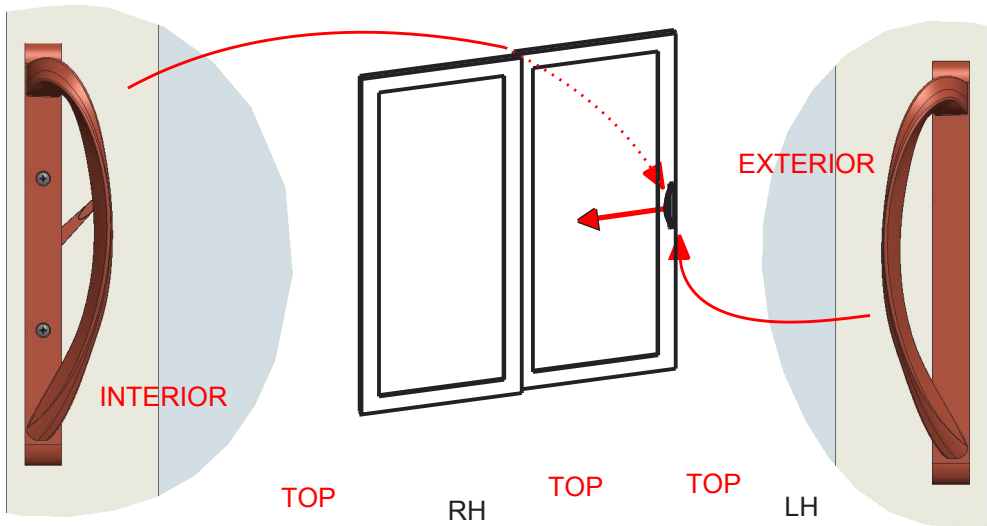
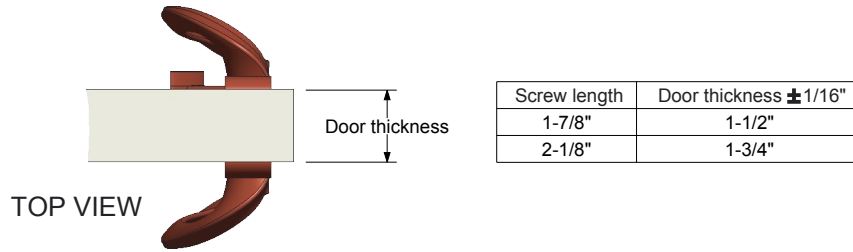


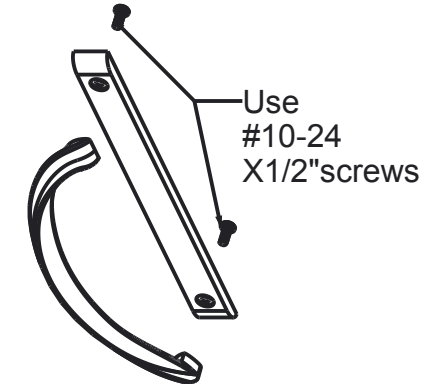
1- Measure the thickness of the door and check door handing



(These views are showing an outside handle. Inside handle is mirrored.)

Installation Instruction

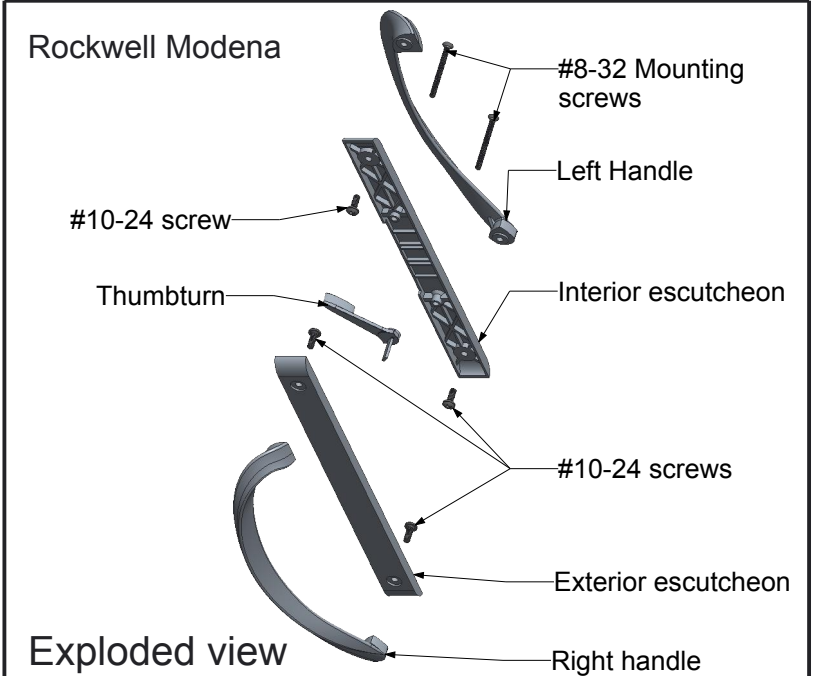
2- Assemble the handles to escutcheons



Fasten the handles to escutcheons with the 1/2" long #10-24 screws.
Kindly ensure to orient the handle as shown

The handle pulling direction is toward the glass (center of the door).

Rockwell Modena



- 3- A) Insert the thumbturn into the lock drive hub.
- B) Place the interior handle and hold it. Place the exterior handle and hold it.
- C) Fasten with the #8-32 screws identified at step 1, through the interior handle.

Do not overtighten the screws.

