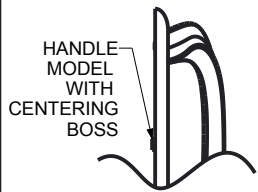
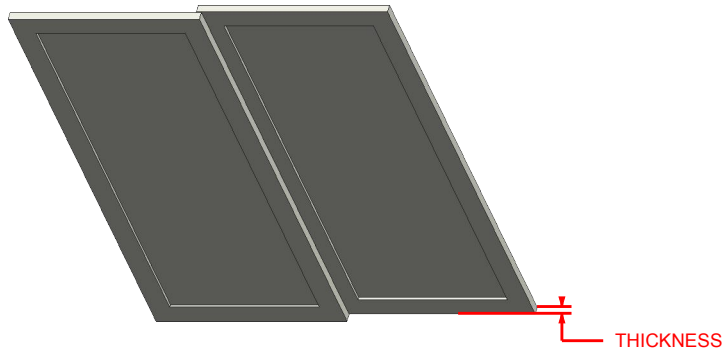
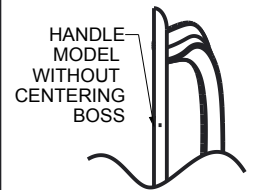


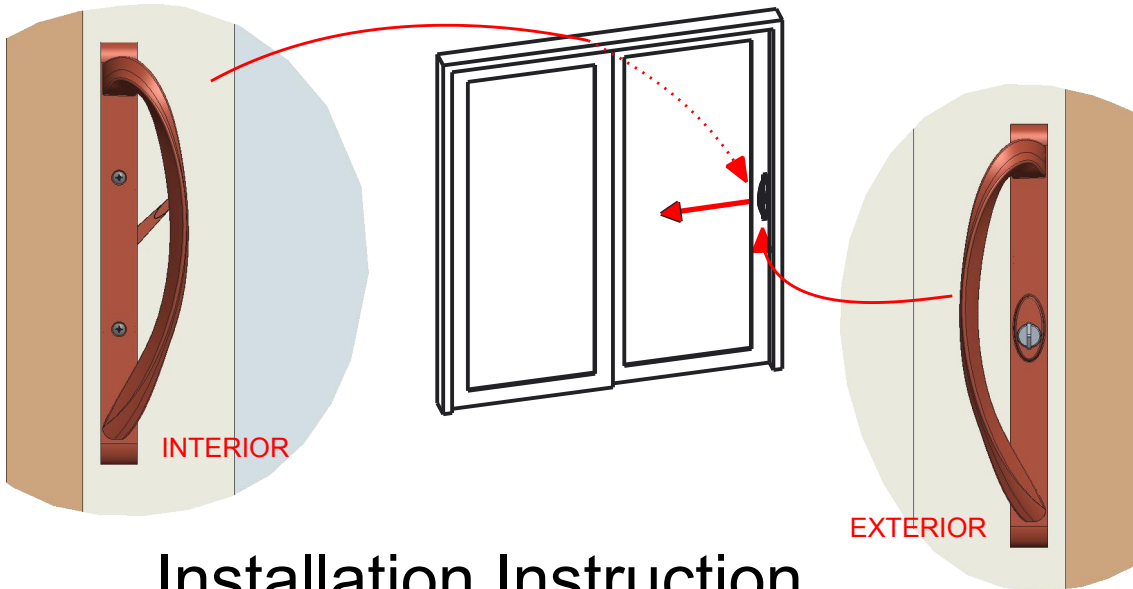
1- Measure the thickness of the door



Door thickness is $1.5" \pm 1/16"$ ↔ Use the #8-32, 1-7/8" long screw
Door thickness is $1.75" \pm 1/16"$ ↔ Use the #8-32, 2-1/8" long screw

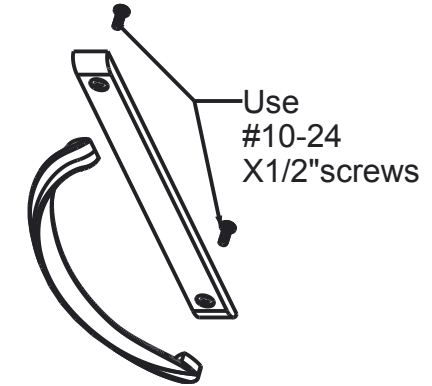


Door thickness is $1.75" \pm 1/16"$ ↔ Use the #8-32, 2-1/4" long screw

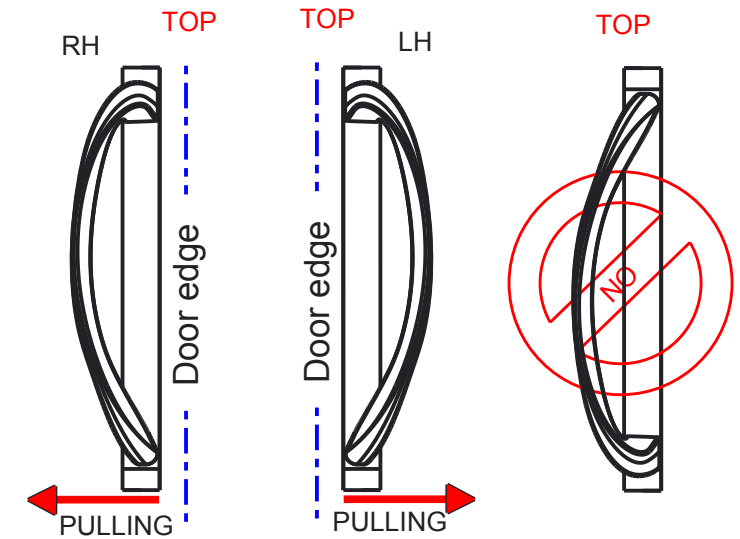


Installation Instruction

2- Assemble the handles to escutcheons



(These views are showing an outside handle. Inside handle is mirrored.)



Fasten the handles to escutcheons with the 1/2" long #10-24 screws.

Make sure to orient the handle as shown above:

The handle pulling direction toward the glass (center of the door).

The tight loop goes on the top .

3- Place the exterior handle.

If the exterior handle is equipped with a cylinder key. Please, ensure that the key is not inserted into the cylinder during installation of the handle set.

Place the exterior handle with the cylinder tail extending on through the mortise lock drive hub.

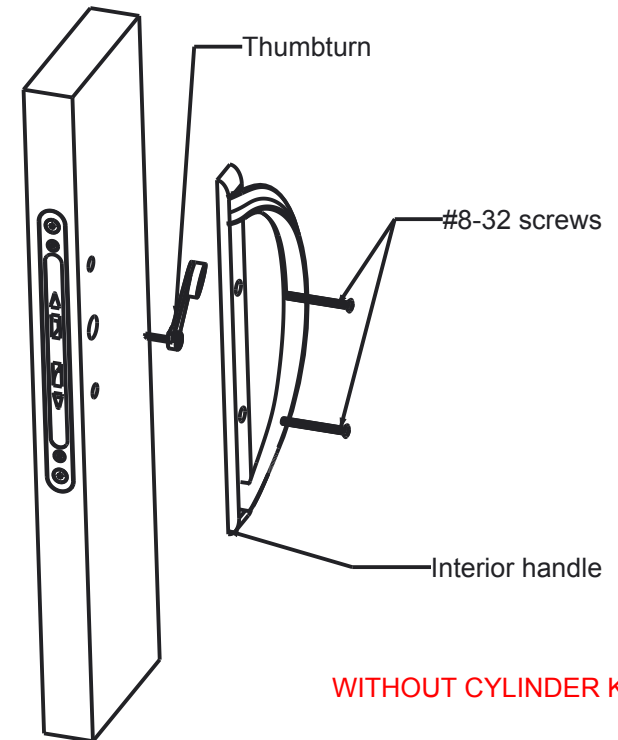
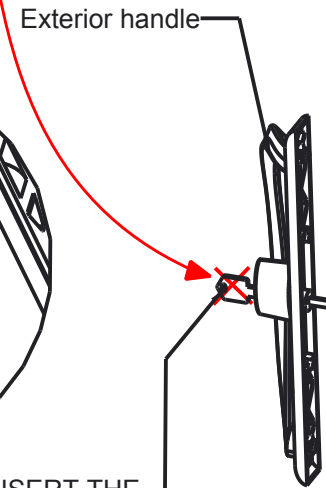
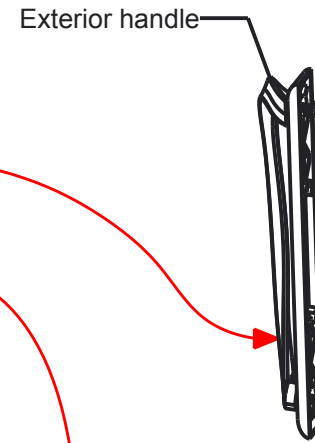
Insert the thumbturn into the lock drive hub.

Fasten with the #8-32 screws identified at step 1, through the interior handle.

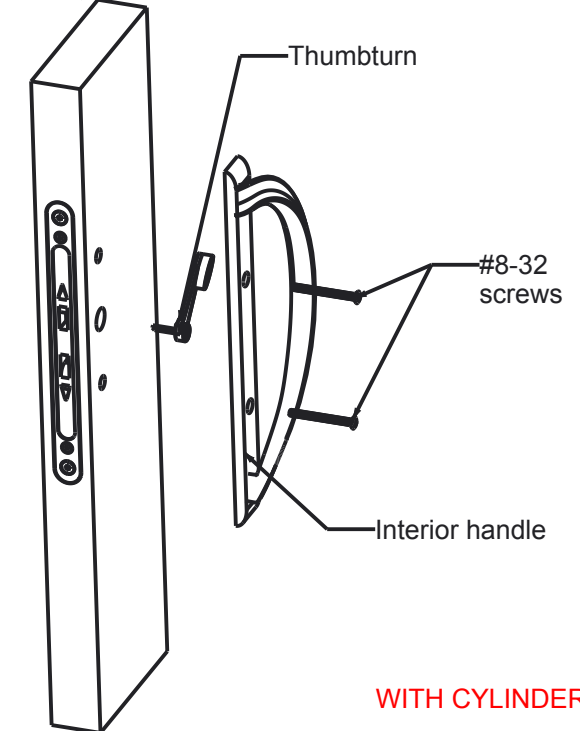
Insert the key (if equipped) and test the operation.

Do not overtighten the screws.

DO NOT INSERT THE KEY WHILE MOUNTING THE HANDLE ON THE DOOR.



WITHOUT CYLINDER KEY



WITH CYLINDER KEY

Installation Instruction