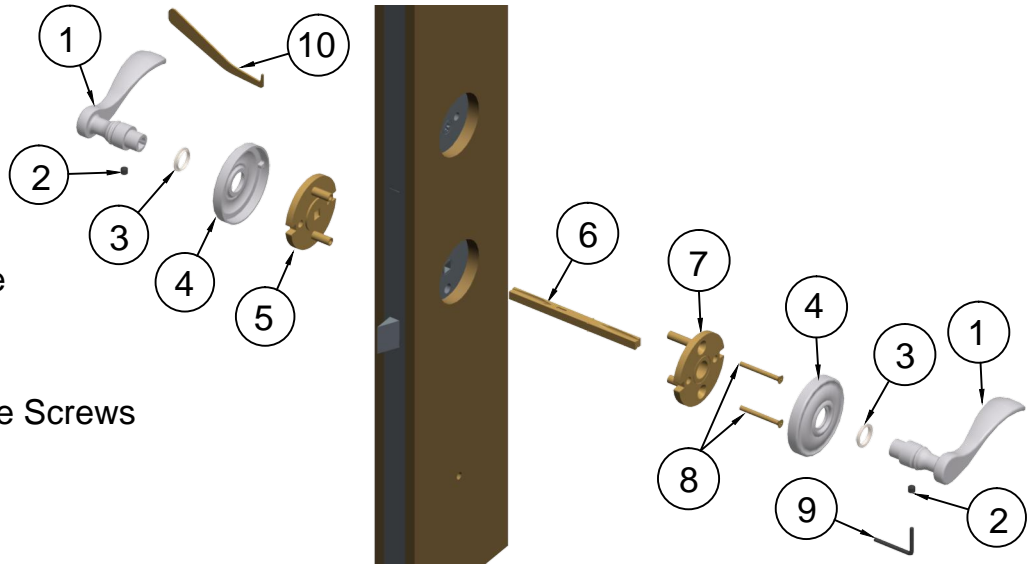




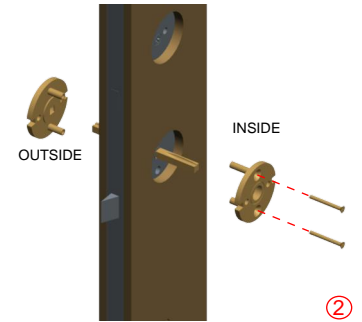
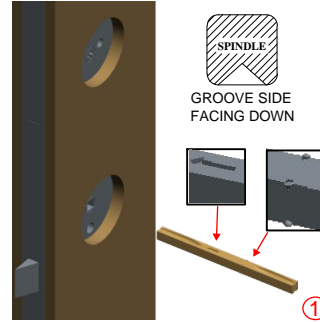
# MULTIPOINT LEVER SET INSTALLATION INSTRUCTIONS

## PART IDENTIFICATION

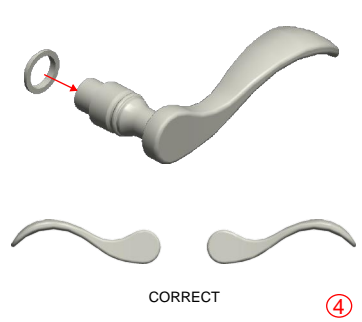
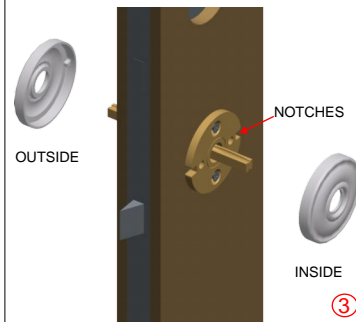
1. Lever
2. Set Screw
3. Plastic Washer
4. Rosette
5. External Mounting Plate
6. Spindle
7. Internal Mounting Plate
8. 1-1/2" Flathead Machine Screws
9. Allen Wrench
10. Rosette Pick



1. **From the interior of the door insert the spindle.** Insert the spindle with the groove side down and the stamped arrow towards the square hole of the latch. Slide the spindle through the latch until the tabs of the spindle is touching the latch.  
NOTE: Measure the thickness of your door. If door is less than 1-3/4" thick, do not use the collar provided. If your door measures 1-3/4", slide the collar onto spindle.



2. **Install inside and outside mounting plates.** Slide the mounting plates over the spindle and insert the two legs of both mounting plates into the lock. Insert two 1-1/2" machine screws into the internal mounting plate and tighten.  
NOTE: The internal mounting plate has two countersunk holes to receive the heads of the screws.

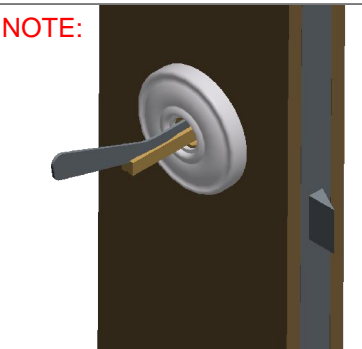
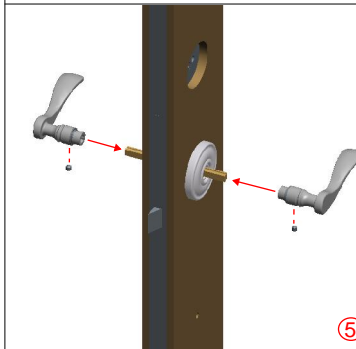


3. **Install the Rosette.** Align the notches on the mounting plates with the notches of rosette and snap the rosettes onto both the external and internal mounting plates.

4. **Place the plastic washer on the shank of both the levers.** Ensure the levers are oriented correctly.

5. **Install levers.** Slide the levers onto the spindle. Make sure there is not a gap between the knob/lever and the rosette. Insert and tighten the set screws with allen wrench.

Note: If necessary to remove the rosette after levers have been installed, loosen the set screws and remove the levers. After the levers have been removed insert the rosette pick into the rosette and pry the rosette off.



## TROUBLE SHOOTING GUIDE

**PROBLEM:** Lever(s) keeps coming of the spindle.

**SOLUTION:** Ensure the spindle is oriented with the grove side down the set is securely tightened.

**PROBLEM:** Lever rotates freely and does not retract the latch.

**SOLUTION:** The spindle is not inserted fully. Ensure the stops on the spindle are flush with the lock.