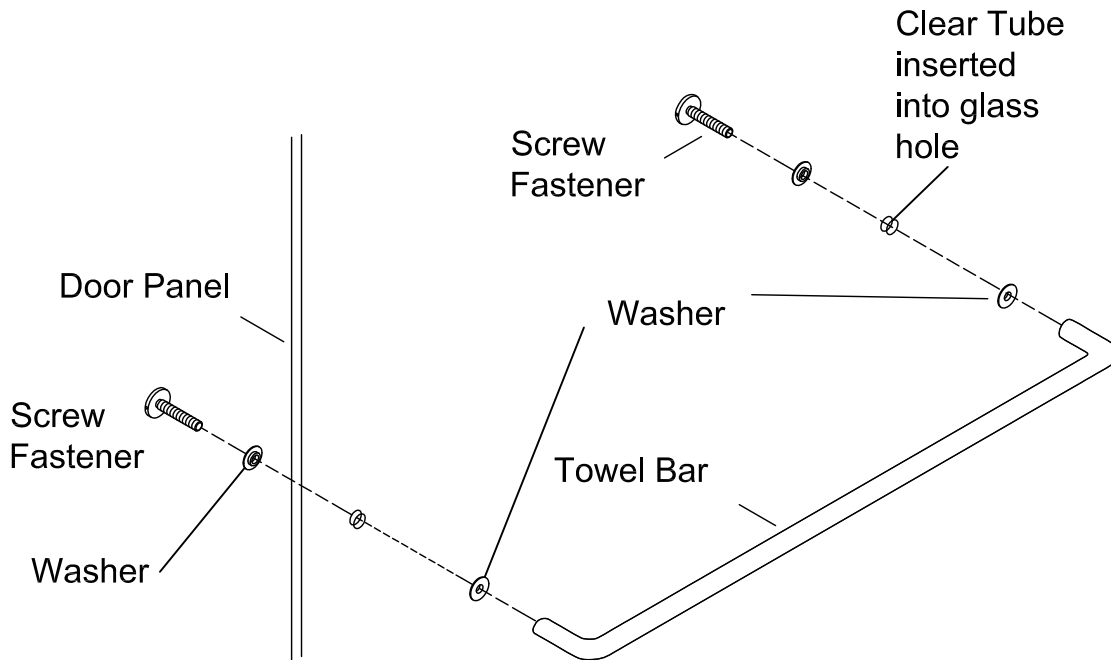




# Rockwell



## Towel Bar Installation Instructions

1. Disassemble the Towel Bar by removing the screw fasteners.
2. Insert the Clear Tubes into the Glass holes for the Towel Bar.
3. Install the Towel Bar ensuring to install the Clear Washers in between the glass and the towel bar or screw fastener.
4. Start with one side of the Towel bar loosely installing the screw fastener and washer and on other side of the glass the washer and towel bar. Repeat procedure on the other hole for the towel Bar.
5. Ensure the Towel Bar is Straight.
5. Using the allen wrench supplied, tighten the screw fastener as illustrated turning it clockwise.
6. Please do not overtighten the screw fastener.

