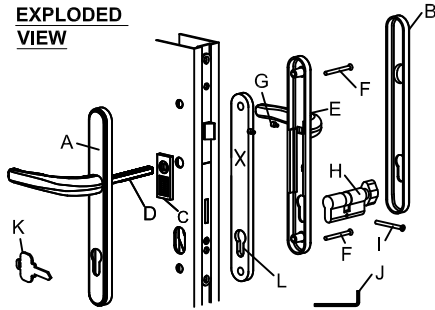




KEYED ENTRY HANDLE SET INSTALLATION INSTRUCTIONS

EXPLODED VIEW



ITEM	DESCRIPTION
A.	External Lever Assembly
B.	Internal Lever Cover
C.	Spindle Cartridge
D.	Spindle
E.	Internal Lever Assembly
F.	Mounting Screw(s)
G.	Spindle Set Screw
H.	Cylinder
I.	Cylinder Mounting Screw
J.	Allen Key
K.	KEY
L.	Gasket

BEFORE YOU BEGIN

Remove and discard all packaging materials and verify you have all the parts in the exploded view section of instructions

Follow step by step installation instructions to ensure proper operation of handle set.

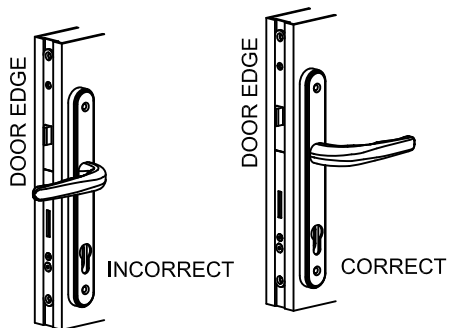
Always wear protective eyewear.

REQUIRED TOOLS

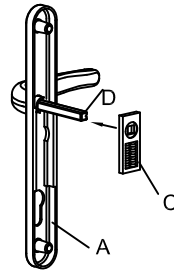
-Protective Eyewear

-#2 Phillips Screwdriver

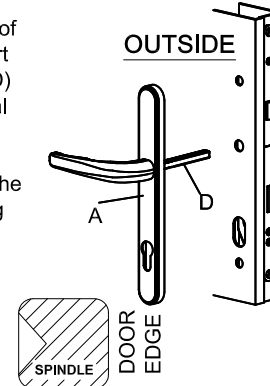
1. Ensure the levers are oriented properly.



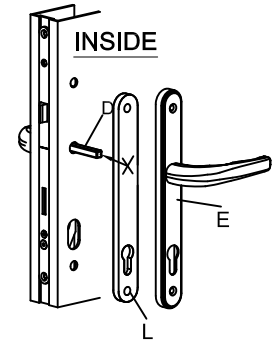
2. Mount spindle cartridge (C) onto external lever assembly (A) ensuring it is flush with the plate.



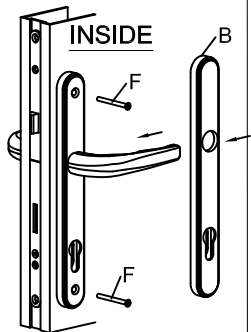
3. From the external side of the door insert the spindle (D) of the external handle assembly (A) with (C) into the latch ensuring the groove in the spindle is facing the hinges of the door.



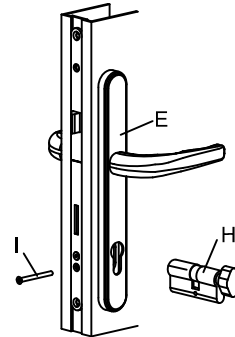
4. From the internal side install the gasket (L) into the internal backplate lever assembly (E) and slide the internal lever assembly (E) onto the spindle



5. Align the screw holes and secure the lever assemblies to the door with the two mounting screws (F). Slide internal lever cover (B) through handle hole into the handle and press it to internal plate until it clicks.



6. Insert the cylinder (H) through the internal lever assembly (E) and into the lock. Secure the cylinder in place with the cylinder mounting screw (I) through the face plate of the lock on the edge of the door.



7. Tighten the set screw (G) with Allen Key (J) on the internal lever assemblies.

