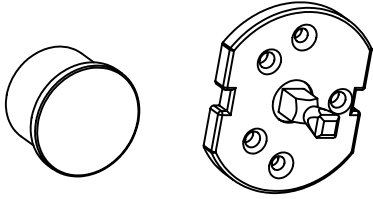


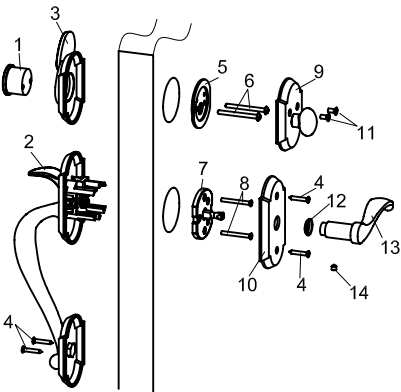
DUMMY HANDLE SET INSTALLATION INSTRUCTIONS



REQUIRED TOOLS

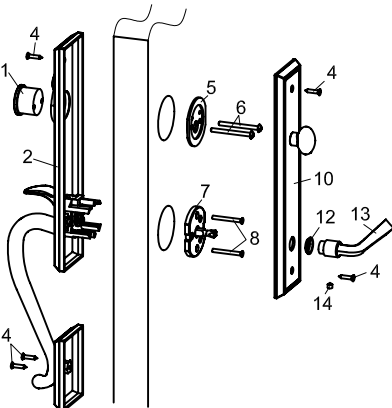
- Protective Eyewear
- #2 Phillips Screwdriver
- 1/8" Drill Bit
- Pencil

SANTA ANA/TUSCON EXPLODED VIEW

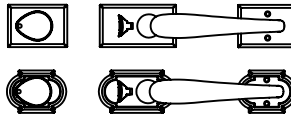


1. Dummy Cylinder
2. External Pull
3. External Deadbolt Trim
4. Wood Screw
5. Deadbolt Mounting Plate
6. Deadbolt Mounting Screw
7. Dummy Mounting Plate
8. Mounting Screw
9. Thumbturn
10. Internal Trim Plate
11. Thumbturn Mounting Screw
12. Plastic Washer
13. Lever or Knob
14. Set Screw

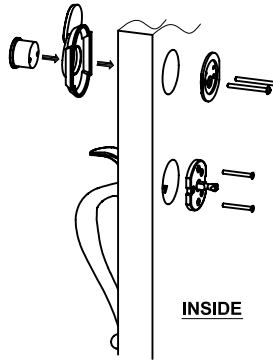
FRESNO/SAN JOSE EXPLODED VIEW



SANTA ANA & TUSCON INSTALLATION



1. Hold the external pull assembly in place and from the inside of the door align and secure the dummy mounting plate using two mounting plate screws. From the outside of the door insert the dummy cylinder through the external deadbolt trim and from the inside of the door orient the turn piece mounting plate and secure in place using two deadbolt mounting screws.



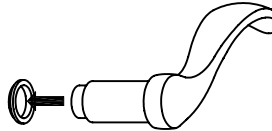
INSIDE

2. Align the external pull assembly with the edge of the door and using a 1/8" drill bit drill two pilot holes. Secure the external pull assembly to the door using two wood screws.

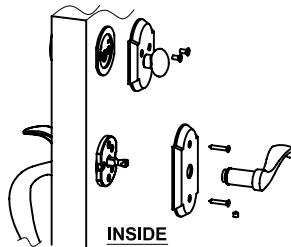
OUTSIDE

DRILL 1/8" PILOT HOLE

3. Place the plastic washer on the shank of the knob or lever.

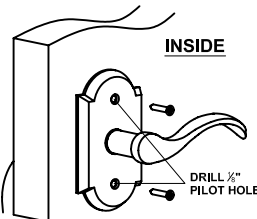


4. From the inside of the door slide the internal trim plate onto the dummy mounting plate and then slide the lever onto the spindle. Press the lever firmly against the internal trim plate and door and tighten the set screw on the bottom of the lever. **Note:** The set screw should be located on the underside of the lever. Position the thumbturn over the deadbolt mounting plate and secure the thumbturn to the door using the two thumbturn mounting screws.



INSIDE

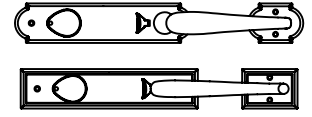
5. Align the internal trim plate with the edge of the door and mark the position of the top and bottom screw hole locations. Drill two 1/8" pilot holes and secure the internal trim plate in place with two wood screws.



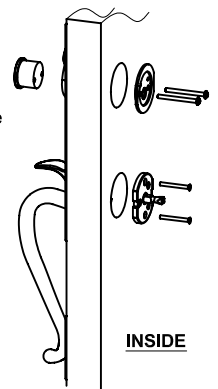
INSIDE

DRILL 1/8" PILOT HOLE

FRESNO & SAN JOSE INSTALLATION



1. Hold the external pull assembly in place and from the inside of the door align and secure the dummy mounting plate using two mounting plate screws. From the outside of the door insert the dummy cylinder through the external deadbolt trim and from the inside of the door orient the turn piece mounting plate and secure in place using two deadbolt mounting screws.



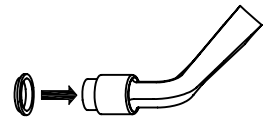
INSIDE

2. Align the external pull assembly with the edge of the door and mark the position of the top and bottom screw hole locations. Drill a 1/8" pilot holes and secure the external plate in place with three wood screws.

OUTSIDE

DRILL 1/8" PILOT HOLE

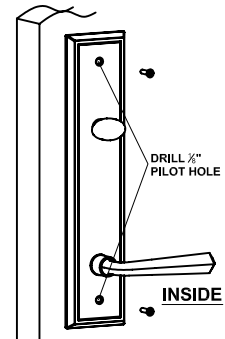
3. Place the plastic washer on the shank of the knob or lever.



4. From the inside of the door slide the internal trim plate onto the dummy mounting plate and then slide the lever onto the spindle. Press the lever firmly against the internal trim plate and door and tighten the set screw on the bottom of the lever. **Note:** The set screw should be located on the underside of the lever.

INSIDE

5. Align the internal trim plate assembly with the edge of the door and mark the position of the top and bottom screw hole locations. Drill two 1/8" pilot holes and secure the internal trim plate in place with two wood screws.



DRILL 1/8" PILOT HOLE

INSIDE