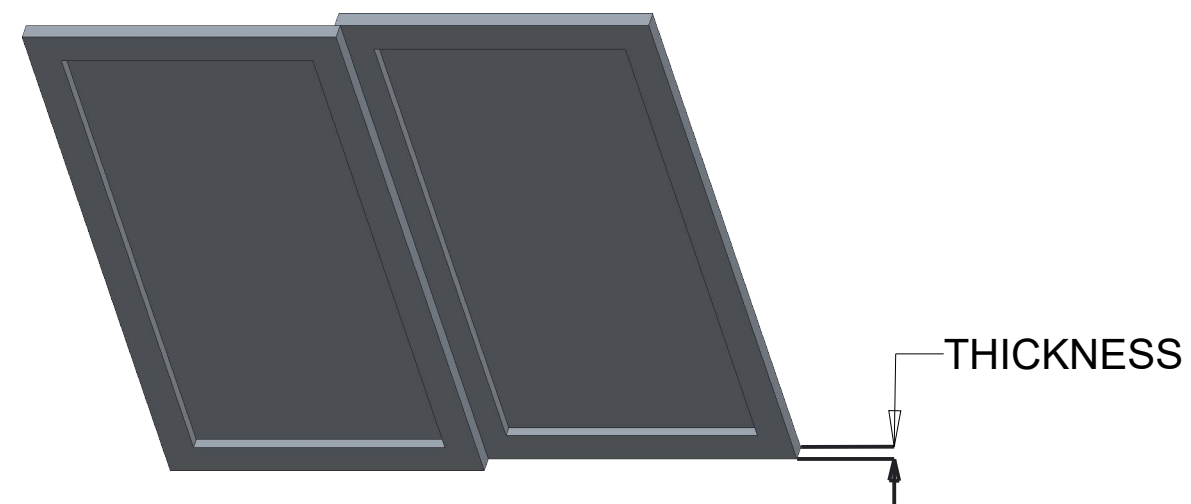


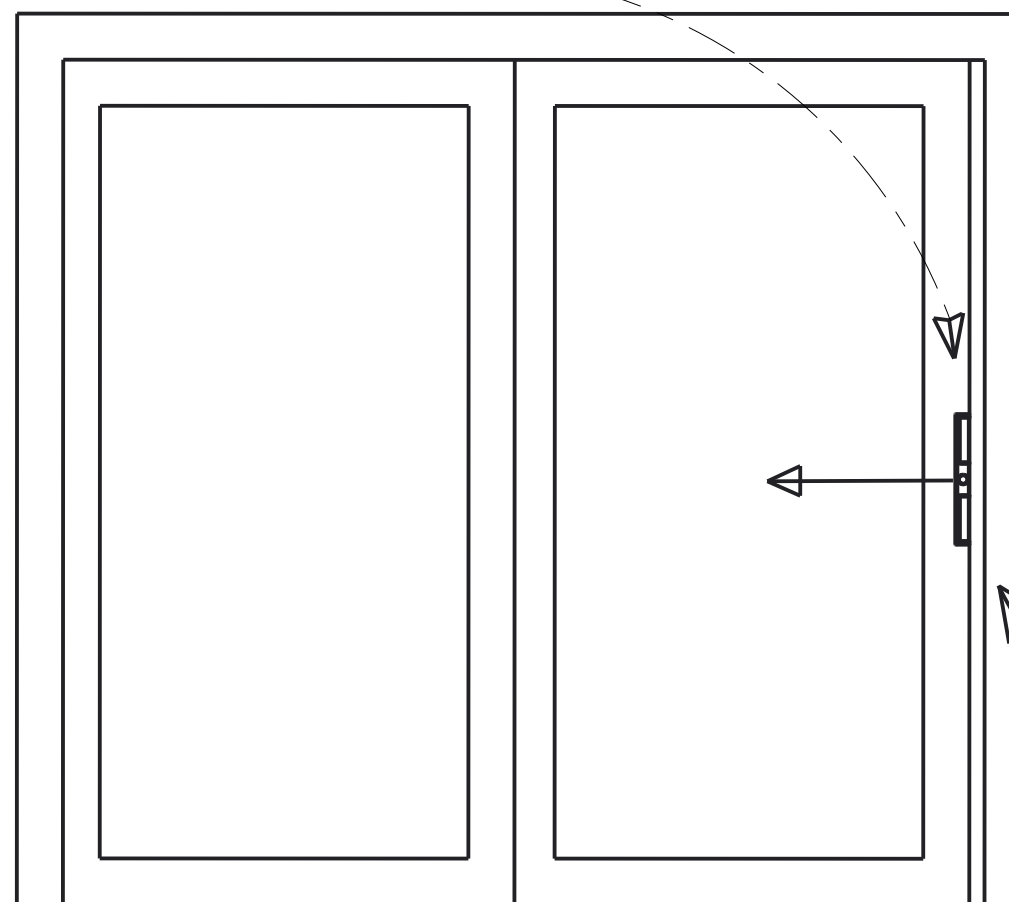
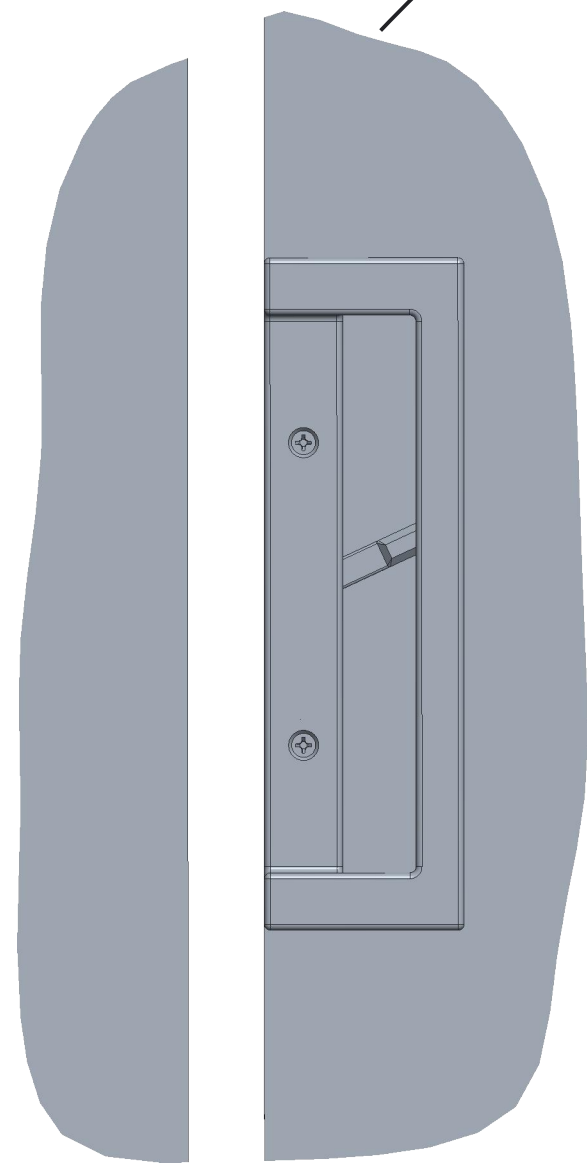
1) Measure the thickness of the door.



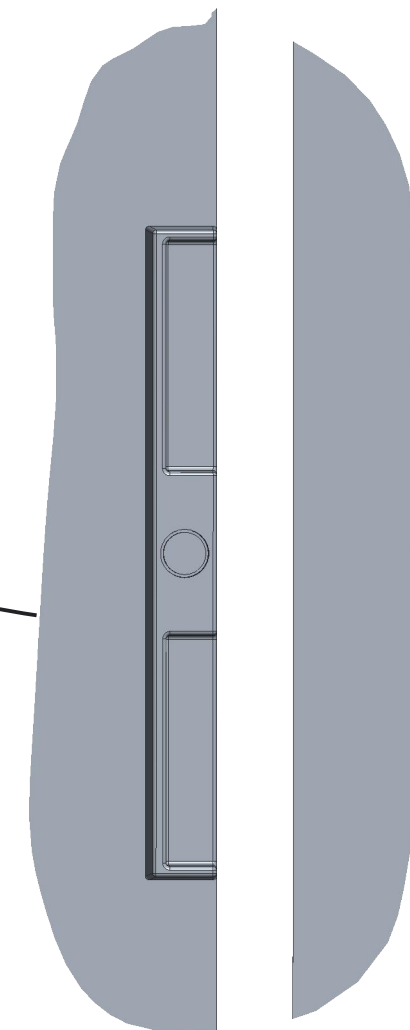
Door thickness is 1.5" \pm 1/16" \longleftrightarrow Use the #8-32, 1-7/8" long screw

Door thickness is 1.75" \pm 1/16" \longleftrightarrow Use the #8-32, 2-1/8" long screw

INTERIOR



EXTERIOR



Installation Instruction

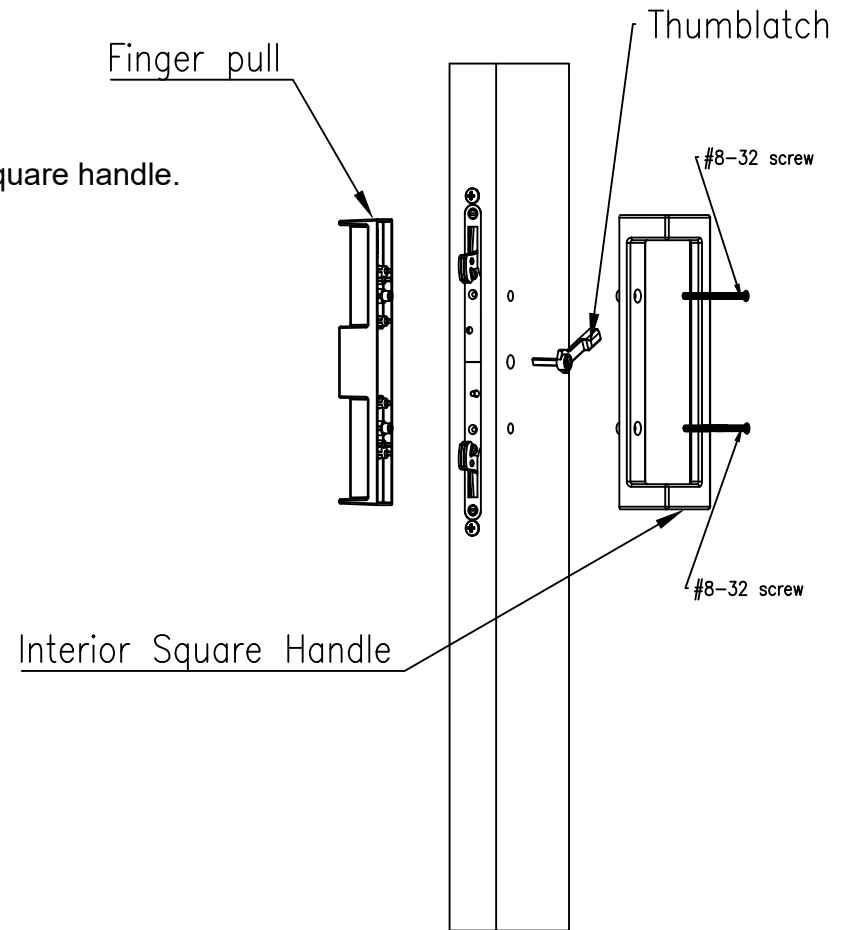
2) Insert the thumbblatch into the lock drive hub.

Attach the interior square handle and finger pull onto the door.

Fasten with the #8-32 screws identified at step1, through interior square handle.

Test the operation.

Do not overtighten the screws.



Installation Instruction